

FEATURES:

- INDUSTRY STANDARD MOUNTING PATTERN
- OUTPUT SPEEDS FROM 1-40 RPM
- OUTPUT TORQUE UP TO 200 IN-LB
- AC VOLTAGES FROM 120 THRU 240
- DIE CAST ZINC CASE
- OP SHAFT ϕ .38 TO ϕ .50
- CUSTOMER SPEC'D FLATS, KEYWAYS, HOLES, ETC

| | | | | |
|-------------------------|------|------|------|------|
| STACK SIZE "X" | .63 | .75 | 1.06 | 2.00 |
| OVERALL SIZE "Y" | 3.03 | 3.16 | 3.48 | 4.41 |

TOLERANCES

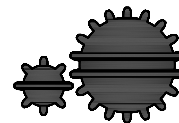
X.XX : \pm .010

X.XXX : \pm .005

FRACTION: \pm 1/64

ANGLE: \pm 2°

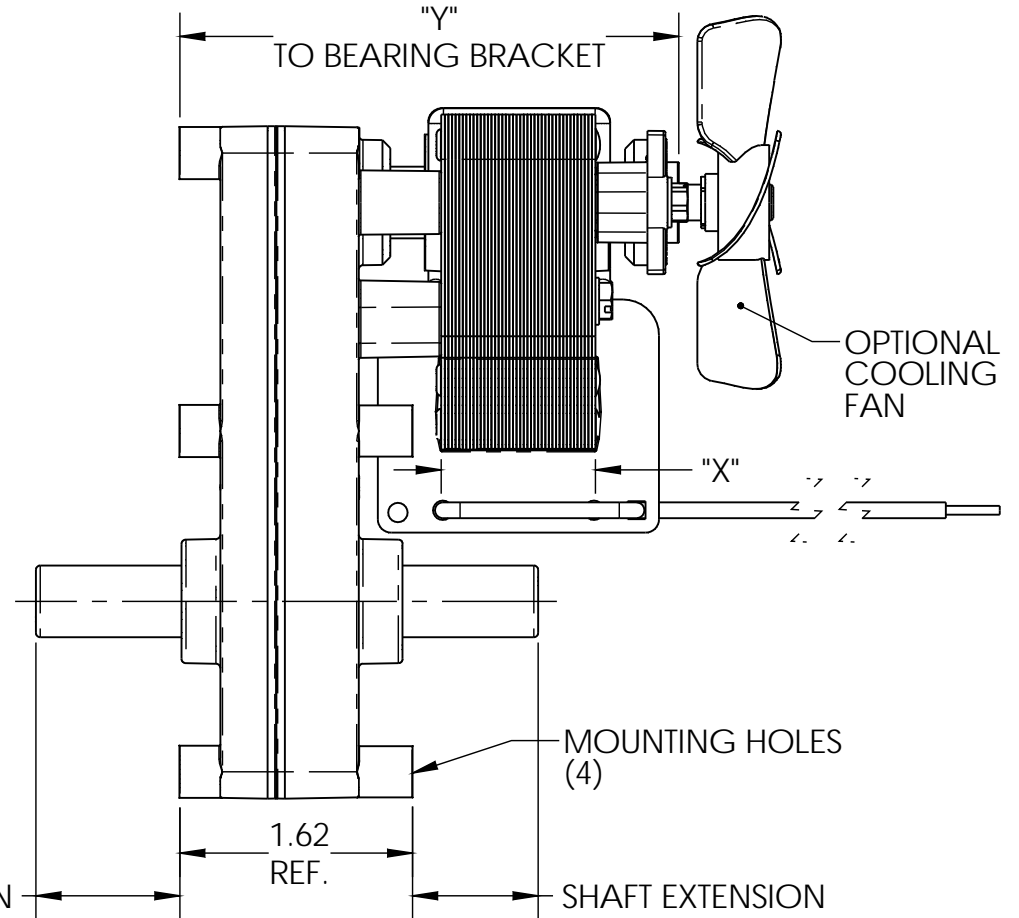
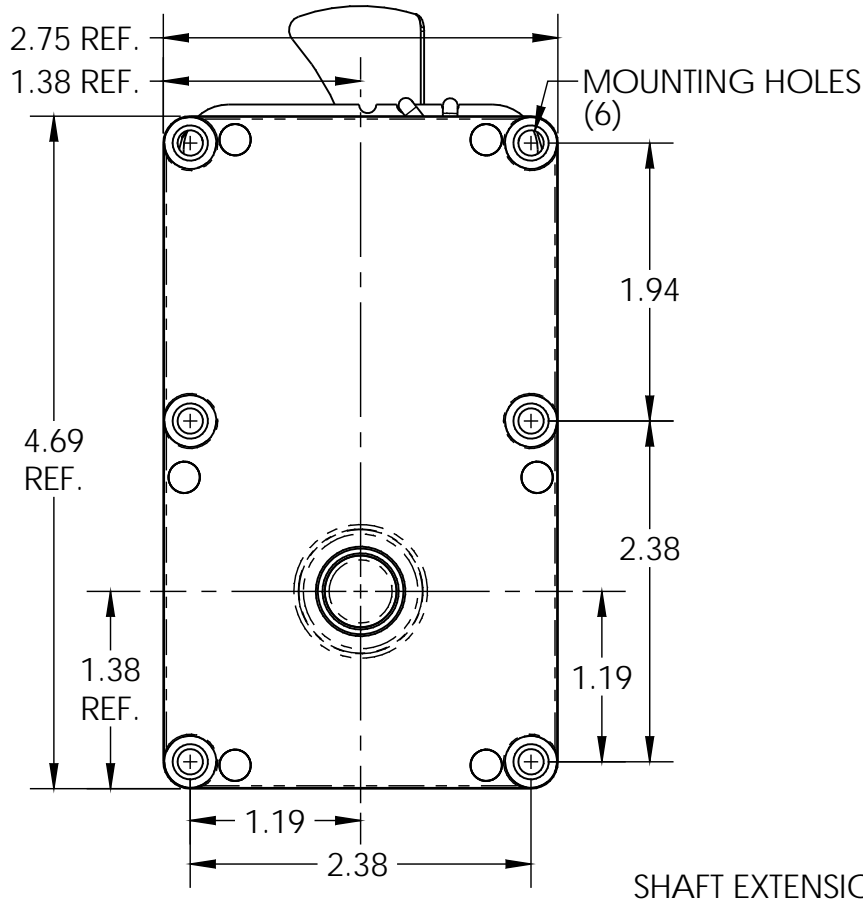
UNLESS OTHERWISE SPECIFIED



MULTI PRODUCTS
Company, Inc.

PART NAME/DESCRIPTION: 9000-AC, 6 FRONT, 0 REAR PADS

| | | | |
|---------------|------------------|---------------|--------------------|
| DRAWN BY: DAB | DATE: 10/11/2017 | SCALE: 0.75:1 | MATERIAL: - |
| CHK'D BY: | DATE: | PART NUMBER: | MOD-9000-AC |
| APPR'D BY: | DATE: | | |



FEATURES:

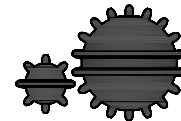
- INDUSTRY STANDARD MOUNTING PATTERN
- OUTPUT SPEEDS FROM 1-40 RPM
- OUTPUT TORQUE UP TO 200 IN-LB
- AC VOLTAGES FROM 120 THRU 240
- DIE CAST ZINC CASE
- OP SHAFT ϕ .38 TO ϕ .50
- CUSTOMER SPEC'D FLATS, KEYWAYS, HOLES, ETC

| | | | | |
|-------------------------|------|------|------|------|
| STACK SIZE "X" | .63 | .75 | 1.06 | 2.00 |
| OVERALL SIZE "Y" | 3.03 | 3.16 | 3.48 | 4.41 |

TOLERANCES

- X.XX : \pm .010
- X.XXX : \pm .005
- FRACTION: \pm 1/64
- ANGLE: \pm 2°

UNLESS OTHERWISE SPECIFIED



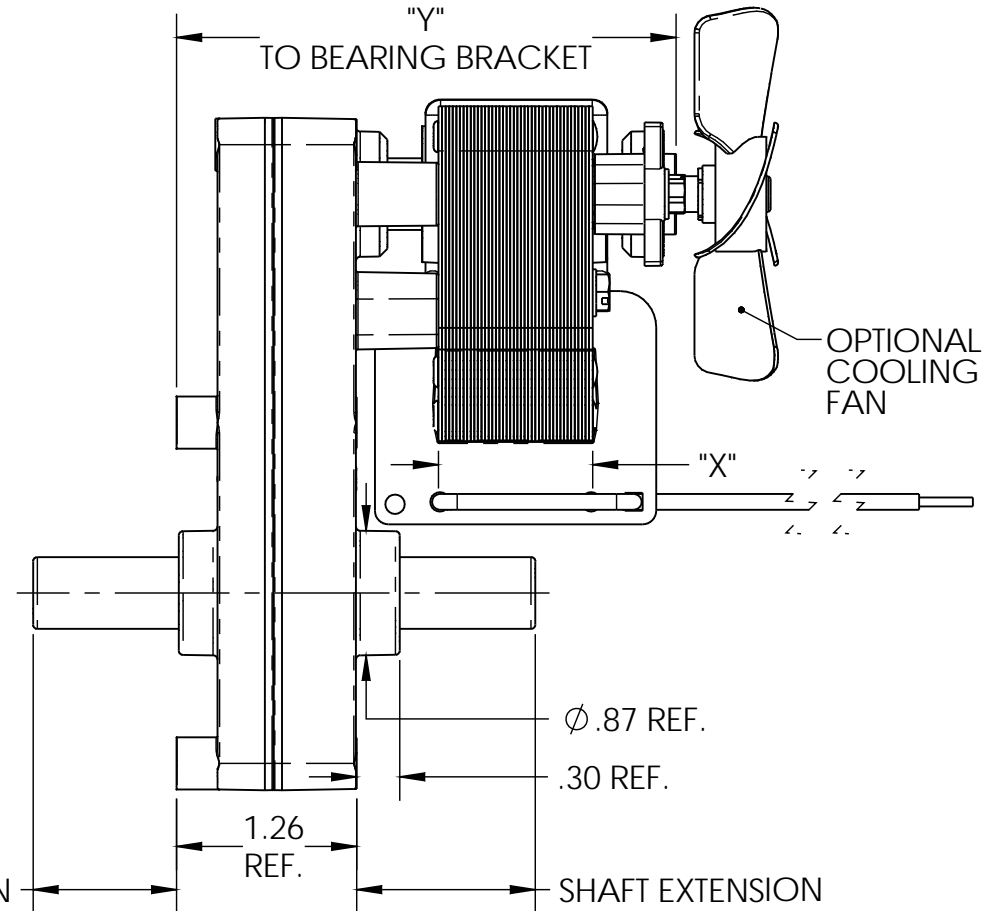
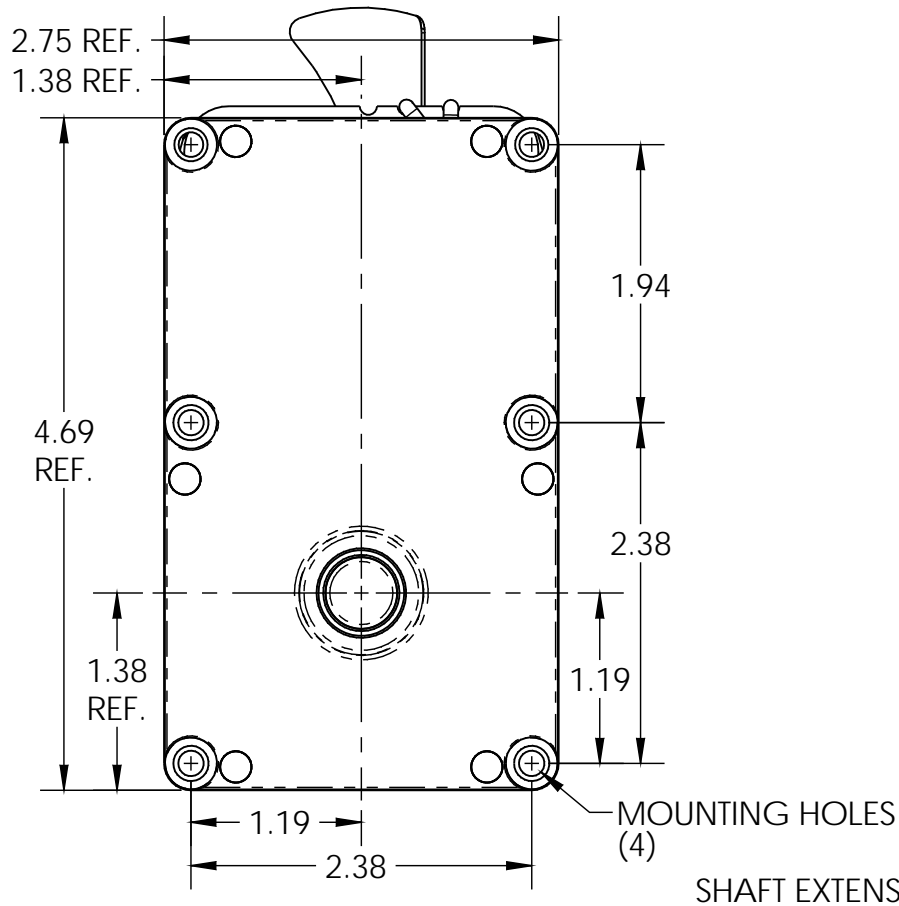
MULTI PRODUCTS
Company, Inc.

PART NAME/DESCRIPTION: **9000-AC, 6 FRONT, 4 REAR PADS**

DRAWN BY: DAB DATE: 10/11/2017 SCALE: 0.75:1 MATERIAL: -

CHK'D BY: DATE: PART NUMBER: **MOD-9000-AC**

APPR'D BY: DATE:



FEATURES:

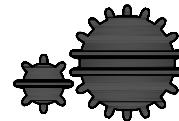
- INDUSTRY STANDARD MOUNTING PATTERN
- OUTPUT SPEEDS FROM 1-40 RPM
- OUTPUT TORQUE UP TO 200 IN-LB
- AC VOLTAGES FROM 120 THRU 240
- DIE CAST ZINC CASE
- OP SHAFT ϕ .38 TO ϕ .50
- CUSTOMER SPEC'D FLATS, KEYWAYS, HOLES, ETC

| | | | | |
|-------------------------|-------------|-------------|-------------|-------------|
| STACK SIZE "X" | .63 | .75 | 1.06 | 2.00 |
| OVERALL SIZE "Y" | 3.03 | 3.16 | 3.48 | 4.41 |

TOLERANCES

- X.XX : \pm .010
- X.XXX : \pm .005
- FRACTION: \pm 1/64
- ANGLE: \pm 2°

UNLESS OTHERWISE SPECIFIED



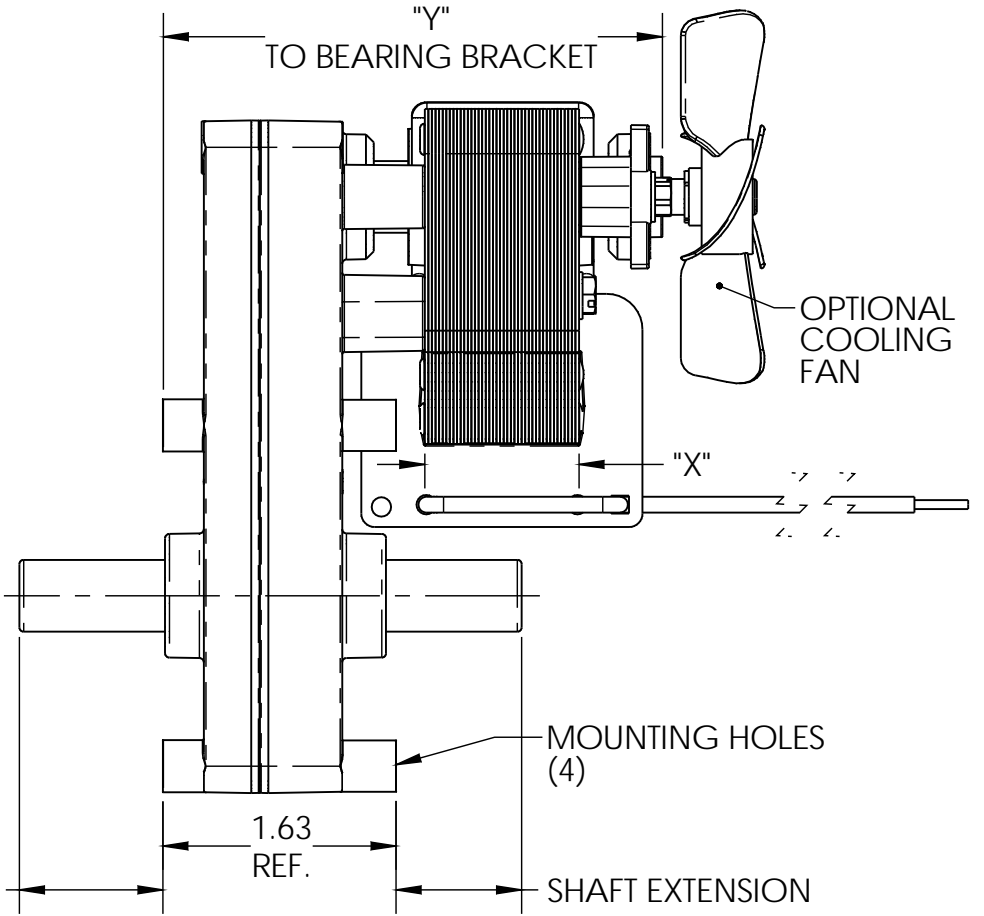
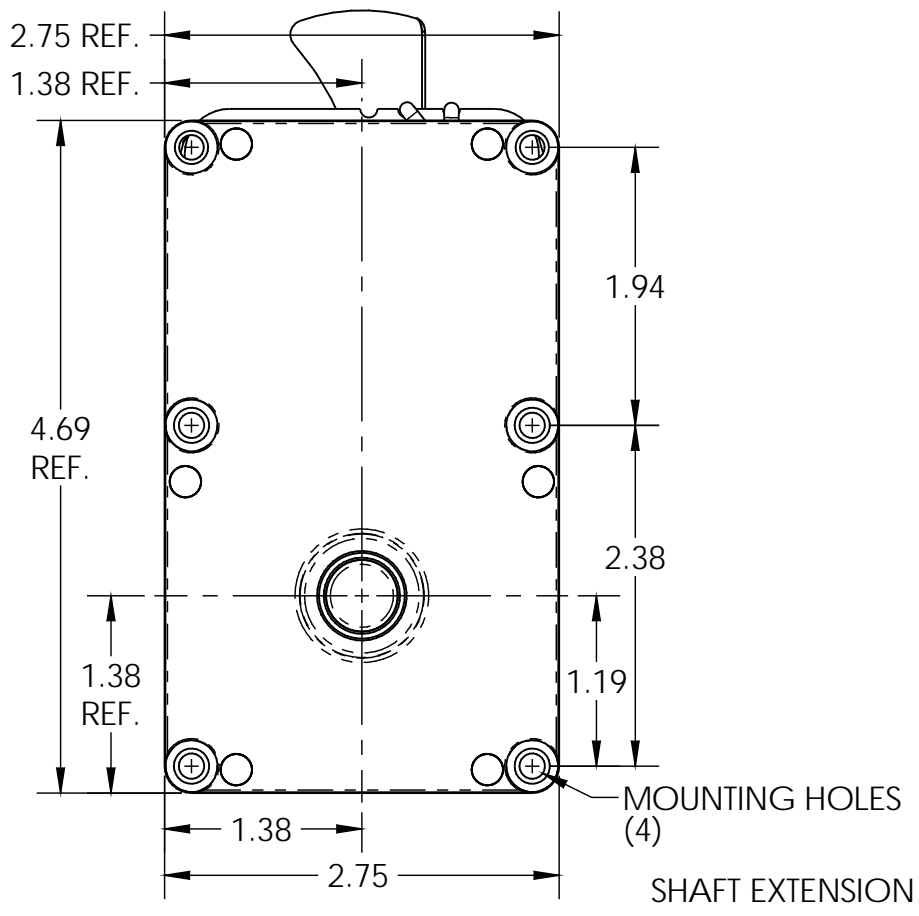
MULTI PRODUCTS
Company, Inc.

PART NAME/DESCRIPTION: **9000-AC, 4 FRONT, 0 REAR PADS**

DRAWN BY: DAB DATE: 10/11/2017 SCALE: 0.75:1 MATERIAL: -

CHK'D BY: DATE: PART NUMBER: **MOD-9000-AC**

APPR'D BY: DATE: PART NUMBER: **MOD-9000-AC**



FEATURES:

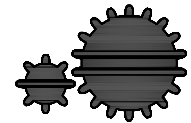
- INDUSTRY STANDARD MOUNTING PATTERN
- OUTPUT SPEEDS FROM 1-40 RPM
- OUTPUT TORQUE UP TO 200 IN-LB
- AC VOLTAGES FROM 120 THRU 240
- DIE CAST ZINC CASE
- OP SHAFT ϕ .38 TO ϕ .50
- CUSTOMER SPEC'D FLATS, KEYWAYS, HOLES, ETC

| | | | | |
|-------------------------|------|------|------|------|
| STACK SIZE "X" | .63 | .75 | 1.06 | 2.00 |
| OVERALL SIZE "Y" | 3.03 | 3.16 | 3.48 | 4.41 |

TOLERANCES

- X.XX: \pm .010
- X.XXX: \pm .005
- FRACTION: \pm 1/64
- ANGLE: \pm 2°

UNLESS OTHERWISE SPECIFIED



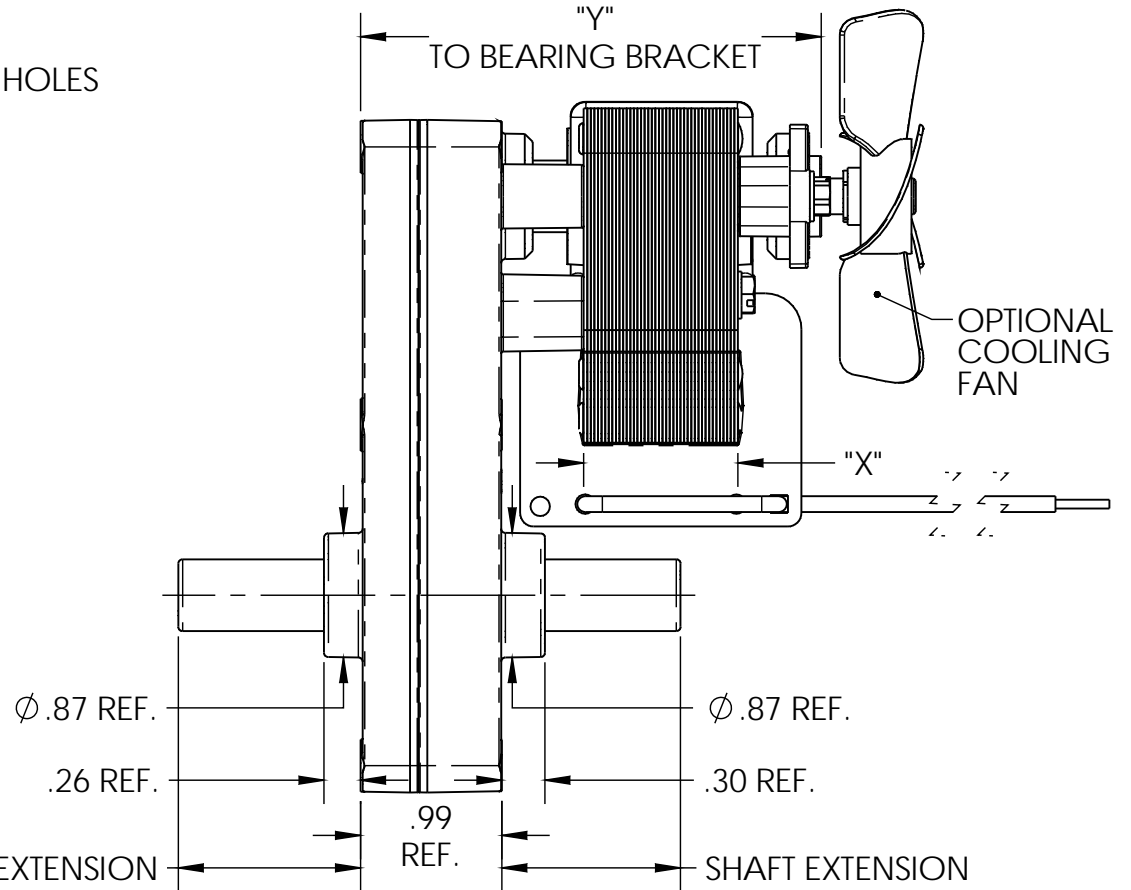
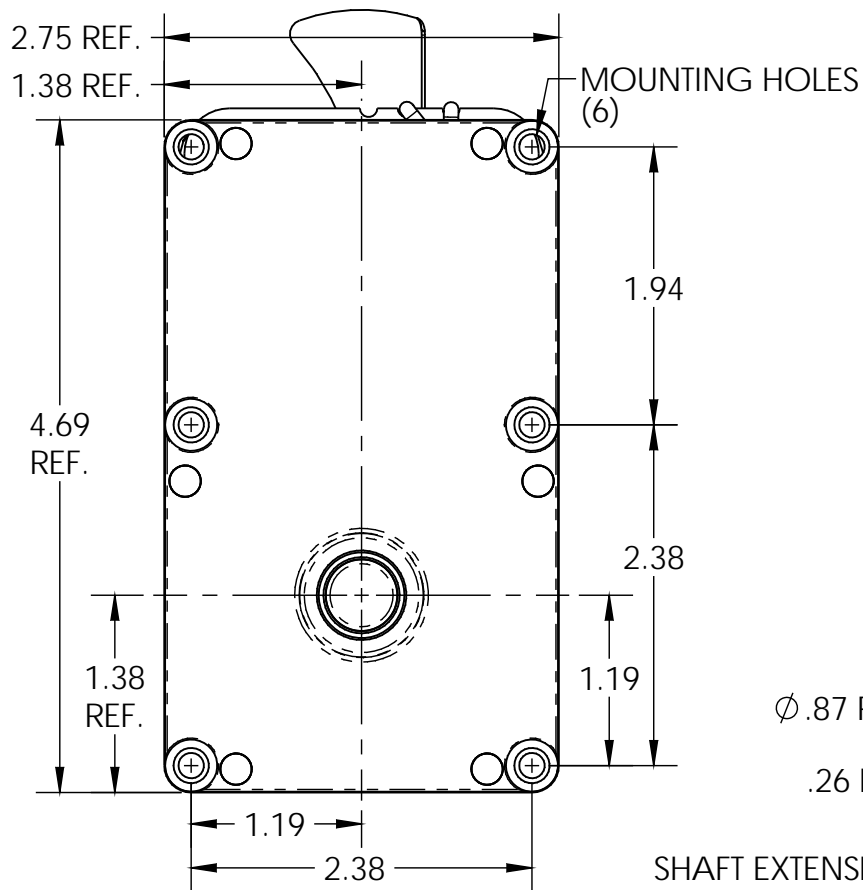
MULTI PRODUCTS
Company, Inc.

PART NAME/DESCRIPTION: **9000-AC, 4 FRONT, 4 REAR PADS**

DRAWN BY: DAB DATE: 10/11/2017 SCALE: 0.75:1 MATERIAL: -

CHK'D BY: DATE: PART NUMBER: **MOD-9000-AC**

APPR'D BY: DATE: PART NUMBER: **MOD-9000-AC**



FEATURES:

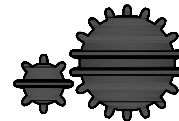
- INDUSTRY STANDARD MOUNTING PATTERN
- OUTPUT SPEEDS FROM 1-40 RPM
- OUTPUT TORQUE UP TO 200 IN-LB
- AC VOLTAGES FROM 120 THRU 240
- DIE CAST ZINC CASE
- OP SHAFT ϕ .38 TO ϕ .50
- CUSTOMER SPEC'D FLATS, KEYWAYS, HOLES, ETC

| | | | | |
|-------------------------|------|------|------|------|
| STACK SIZE "X" | .63 | .75 | 1.06 | 2.00 |
| OVERALL SIZE "Y" | 2.76 | 2.89 | 3.21 | 4.14 |

TOLERANCES

- X.XX: \pm .010
- X.XXX: \pm .005
- FRACTION: \pm 1/64
- ANGLE: \pm 2°

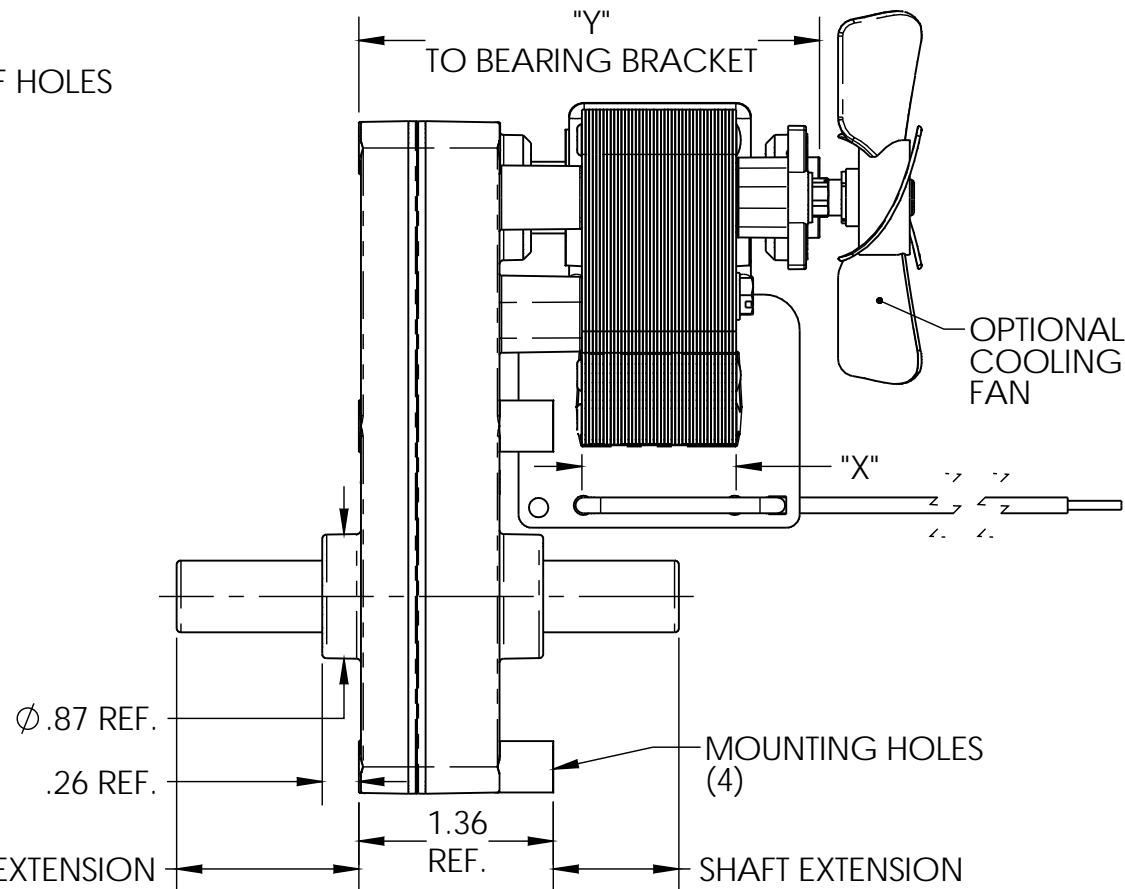
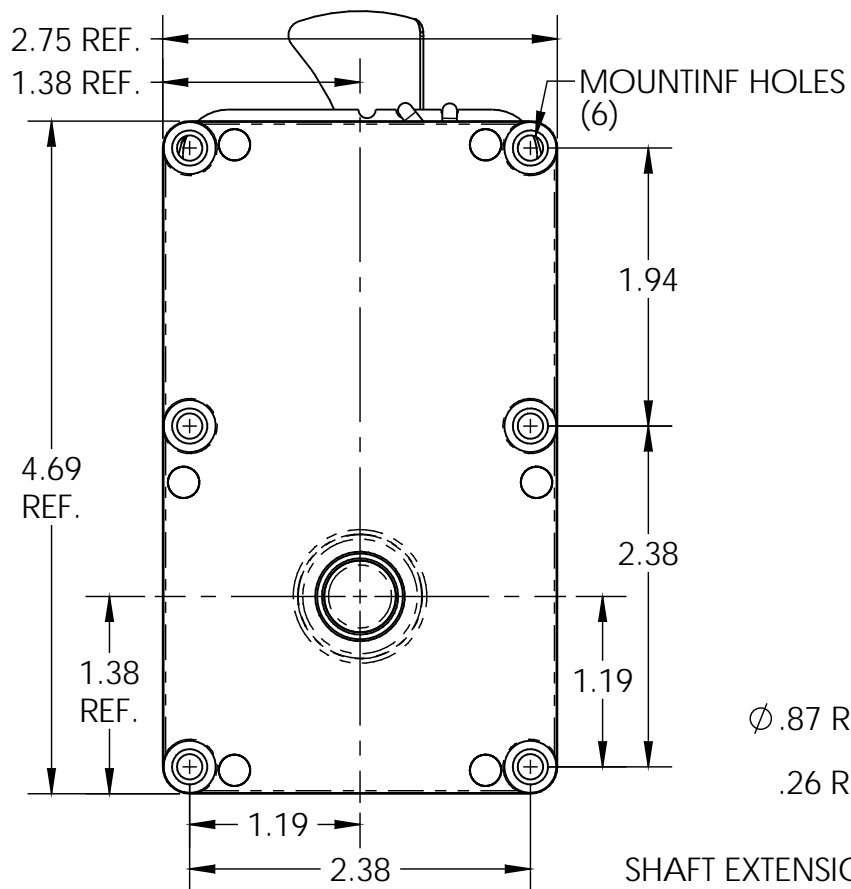
UNLESS OTHERWISE SPECIFIED



MULTI PRODUCTS
Company, Inc.

PART NAME/DESCRIPTION: **9000-AC, 0 FRONT, 0 REAR PADS**

| | | | |
|---------------|------------------|---------------|--------------------|
| DRAWN BY: DAB | DATE: 10/11/2017 | SCALE: 0.75:1 | MATERIAL: - |
| CHK'D BY: | DATE: | PART NUMBER: | MOD-9000-AC |
| APPR'D BY: | DATE: | | |



FEATURES:

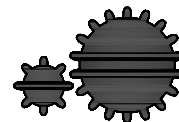
- INDUSTRY STANDARD MOUNTING PATTERN
- OUTPUT SPEEDS FROM 1-40 RPM
- OUTPUT TORQUE UP TO 200 IN-LB
- AC VOLTAGES FROM 120 THRU 240
- DIE CAST ZINC CASE
- OP SHAFT ϕ .38 TO ϕ .50
- CUSTOMER SPEC'D FLATS, KEYWAYS, HOLES, ETC

| | | | | |
|-------------------------|------|------|------|------|
| STACK SIZE "X" | .63 | .75 | 1.06 | 2.00 |
| OVERALL SIZE "Y" | 2.76 | 2.89 | 3.21 | 4.14 |

TOLERANCES

- X.XX: \pm .010
- X.XXX: \pm .005
- FRACTION: \pm 1/64
- ANGLE: \pm 2°

UNLESS OTHERWISE SPECIFIED



MULTI PRODUCTS
Company, Inc.

PART NAME/DESCRIPTION: **9000-AC, 0 FRONT, 4 REAR PADS**

DRAWN BY: DAB DATE: 10/11/2017 SCALE: 0.75:1 MATERIAL: -

CHK'D BY: DATE: PART NUMBER: **MOD-9000-AC**

APPR'D BY: DATE: PART NUMBER: **MOD-9000-AC**