

FEATURES:

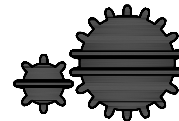
- INDUSTRY STANDARD MOUNTING PATTERN
- OUTPUT SPEEDS FROM 8-200 RPM
- AC VOLTAGES FROM 120 THRU 240
- DIE CAST ZINC CASE
- OP SHAFT ϕ .24 TO ϕ .31
- CUSTOMER SPEC'D FLATS, KEYWAYS, HOLES, ETC

STACK SIZE "X"	.63	.75	1.06	2.00
OVERALL SIZE "Y"	2.48	2.61	2.93	3.86

TOLERANCES

X.XX: \pm .010
X.XXX: \pm .005
FRACTION: \pm 1/64
ANGLE: \pm 2°

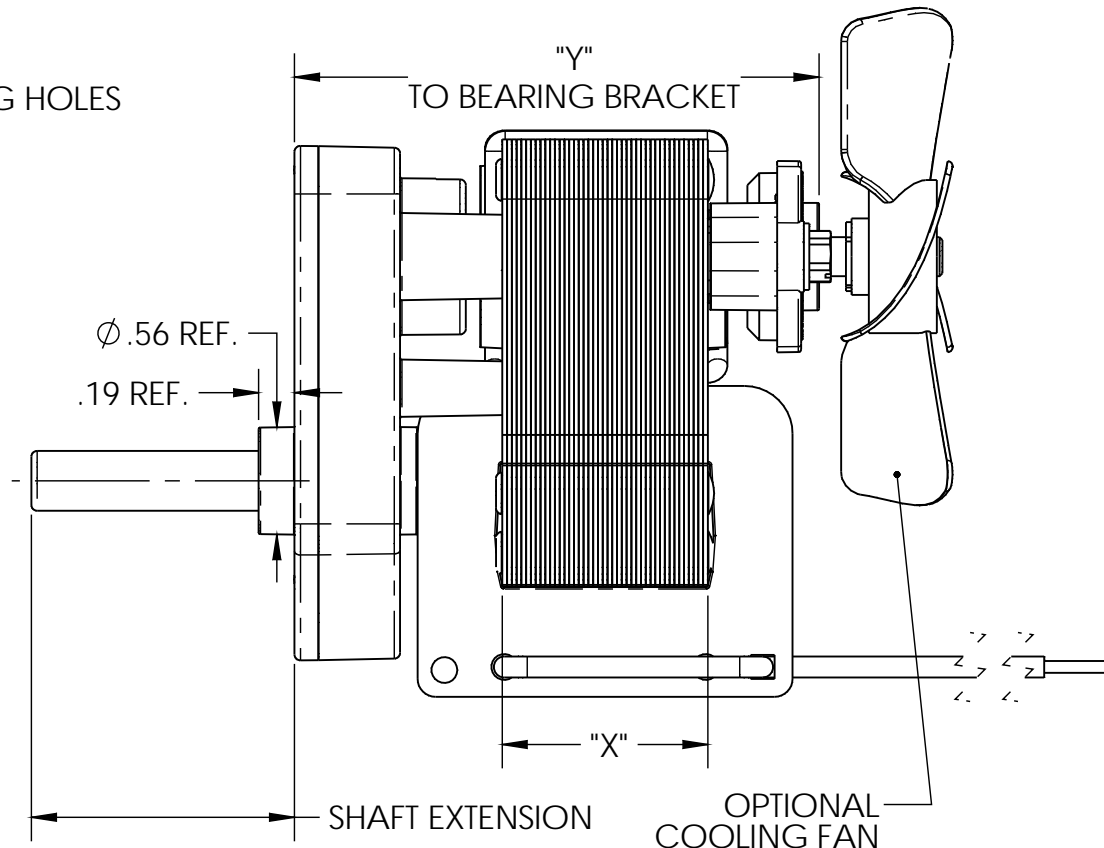
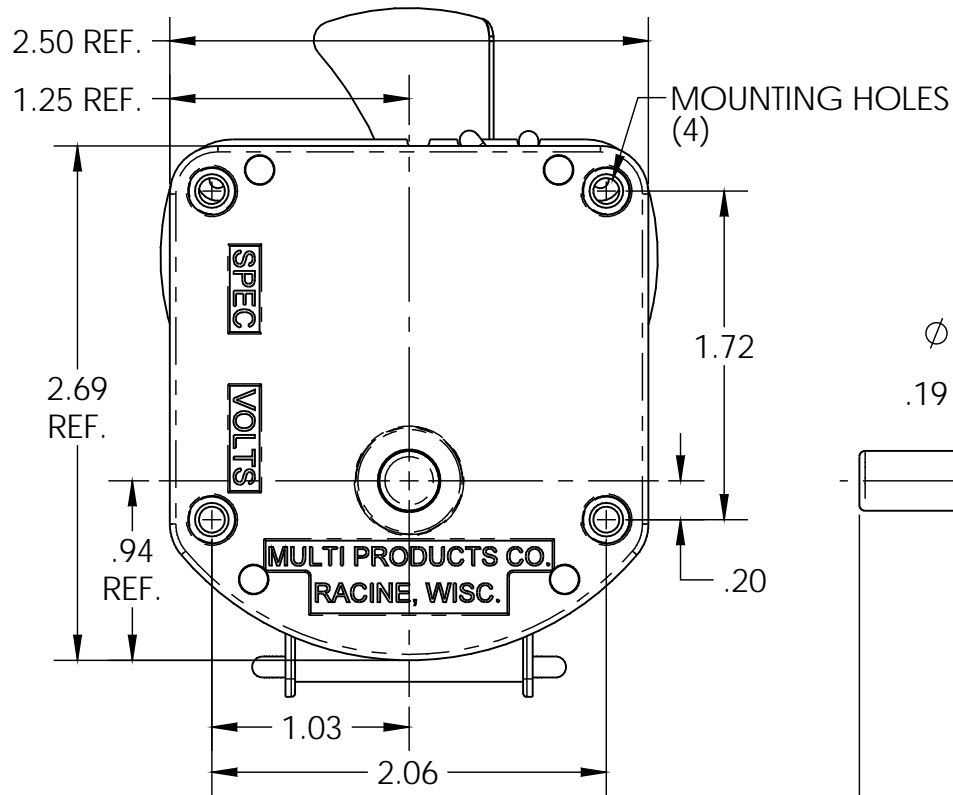
UNLESS OTHERWISE SPECIFIED



MULTI PRODUCTS
Company, Inc.

PART NAME/DESCRIPTION: **MODEL 8000 AC, DEEP COVER**

DRAWN BY: DAB	DATE: 10/10/2017	SCALE: 1:1	MATERIAL: SEE BOM
CHK'D BY: -	DATE:	PART NUMBER: MOD-8000-AC	
APPR'D BY: -	DATE:		



FEATURES:

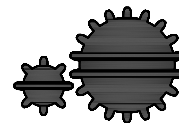
- INDUSTRY STANDARD MOUNTING PATTERN
- OUTPUT SPEEDS FROM 8-200 RPM
- AC VOLTAGES FROM 120 THRU 240
- DIE CAST ZINC CASE
- OP SHAFT ϕ .25 TO ϕ .31
- CUSTOMER SPEC'D FLATS, KEYWAYS, HOLES, ETC

STACK SIZE "X"	.63	.75	1.06	2.00
OVERALL SIZE "Y"	2.29	2.42	2.74	3.67

TOLERANCES

- X.XX: \pm .010
- X.XXX: \pm .005
- FRACTION: \pm 1/64
- ANGLE: \pm 2°

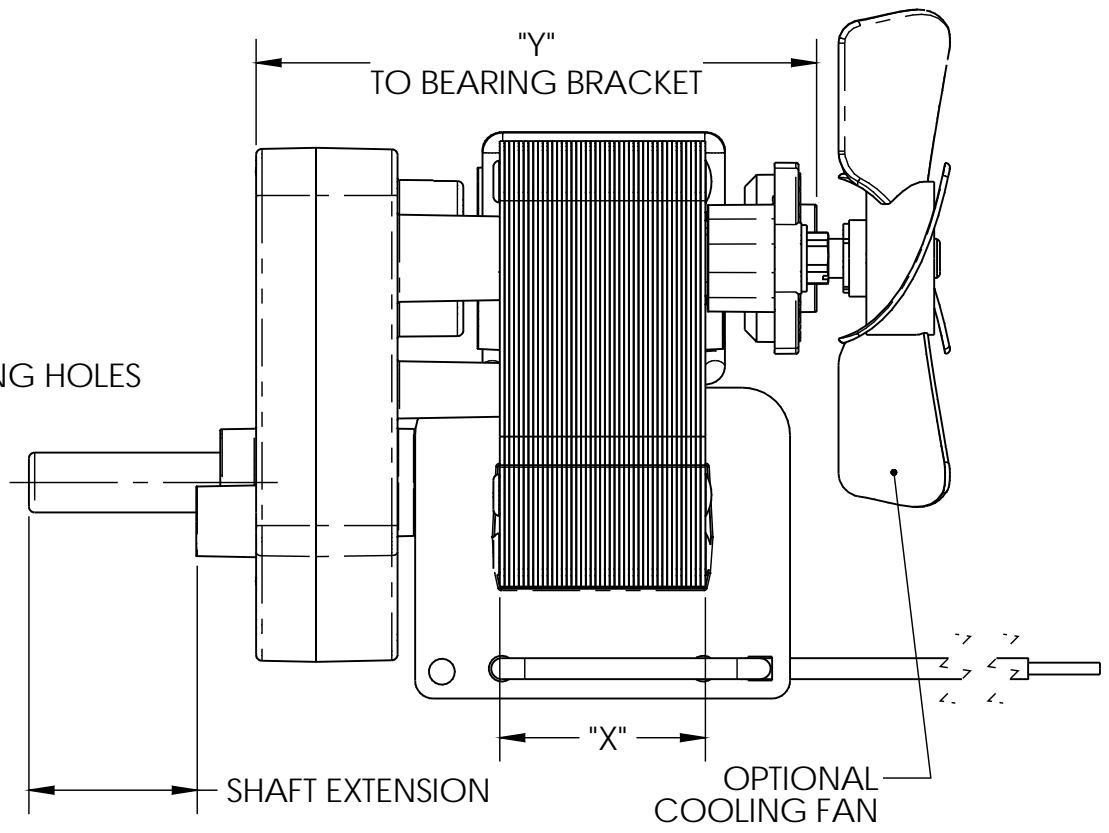
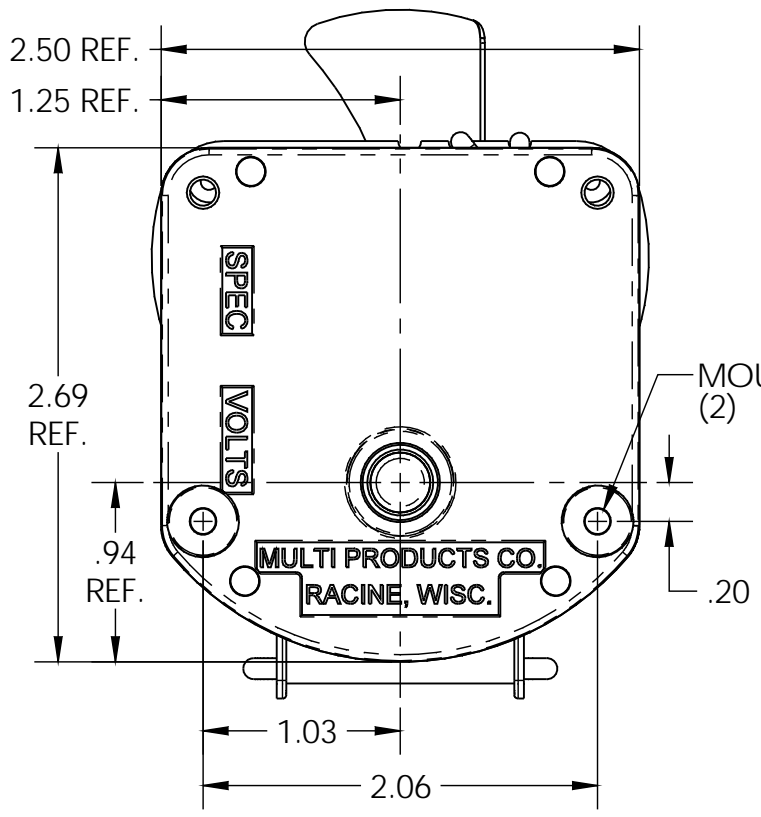
UNLESS OTHERWISE SPECIFIED



MULTI PRODUCTS
Company, Inc.

PART NAME/DESCRIPTION: **MODEL 8000 AC, FLAT COVER**

DRAWN BY: DAB	DATE: 10/10/2017	SCALE: 1:1	MATERIAL: SEE BOM
CHK'D BY: -	DATE:	PART NUMBER:	MOD-8000-AC
APPR'D BY: -	DATE:		



- FEATURES:
- INDUSTRY STANDARD MOUNTING PATTERN
 - OUTPUT SPEEDS FROM 8-200 RPM
 - AC VOLTAGES FROM 120 THRU 240
 - DIE CAST ZINC CASE
 - OP SHAFT ϕ .25 TO ϕ .31
 - CUSTOMER SPEC'D FLATS, KEYWAYS, HOLES, ETC

STACK SIZE "X"	.63	.75	1.06	2.00
OVERALL SIZE "Y"	2.79	2.92	3.24	4.17

TOLERANCES X.XX: \pm .010 X.XXX: \pm .005 FRACTION: \pm 1/64 ANGLE: \pm 2° UNLESS OTHERWISE SPECIFIED			MULTI PRODUCTS Company, Inc.	
	PART NAME/DESCRIPTION: MODEL 8000 AC, DEEP COVER W/POSTS			
	DRAWN BY: DAB	DATE: 10/10/2017	SCALE: 1:1	MATERIAL: SEE BOM
	CHK'D BY: -	DATE:	PART NUMBER: MOD-8000-AC	
APPR'D BY: -	DATE:			