

**FEATURES:**

- INDUSTRY STANDARD MOUNTING PATTERN
- OUTPUT SPEEDS FROM 4-200 RPM
- AC VOLTAGES FROM 120 THRU 240
- DIE CAST ZINC CASE
- OP SHAFT  $\phi$ .31 TO  $\phi$ .38
- CUSTOMER SPEC'D FLATS, KEYWAYS, HOLES, ETC

<b>STACK SIZE "X"</b>	.63	.75	1.06	2.00
<b>OVERALL SIZE "Y"</b>	2.59	2.71	3.04	3.96

**TOLERANCES**

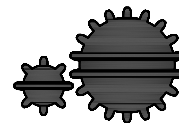
X.XX:  $\pm$ .010

X.XXX:  $\pm$ .005

FRACTION:  $\pm$ 1/64

ANGLE:  $\pm$ 2°

UNLESS OTHERWISE SPECIFIED



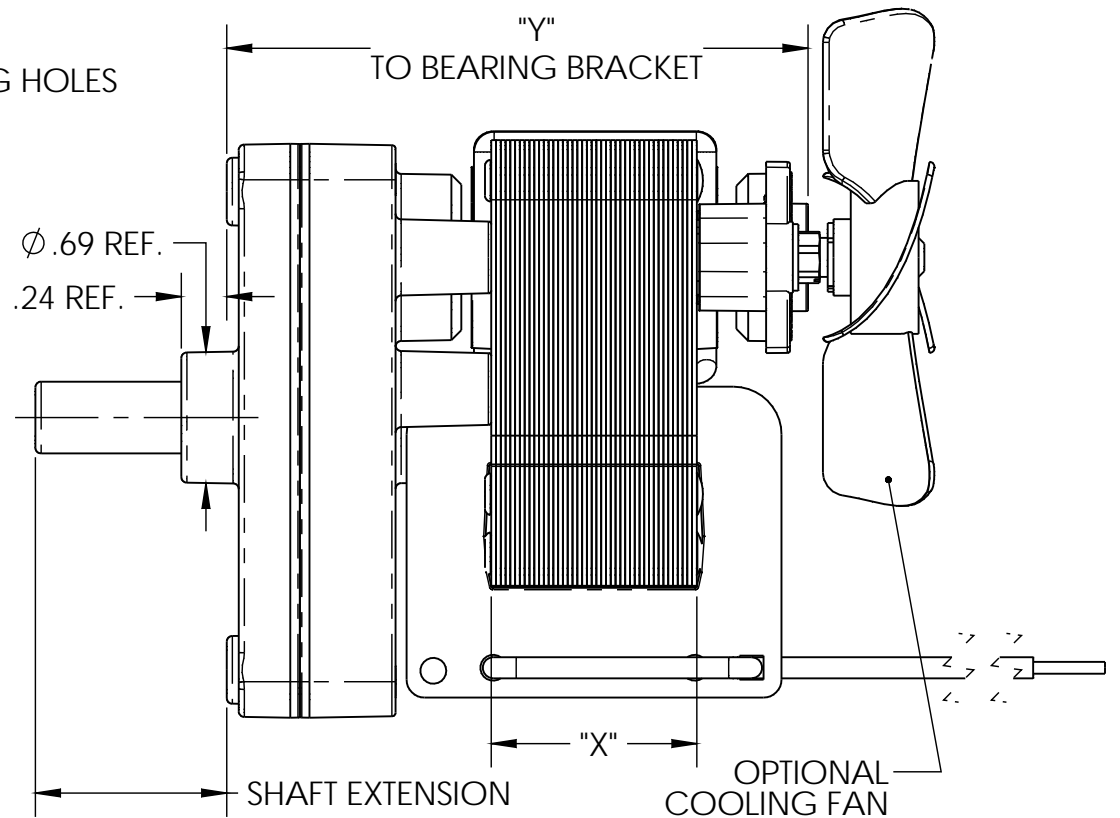
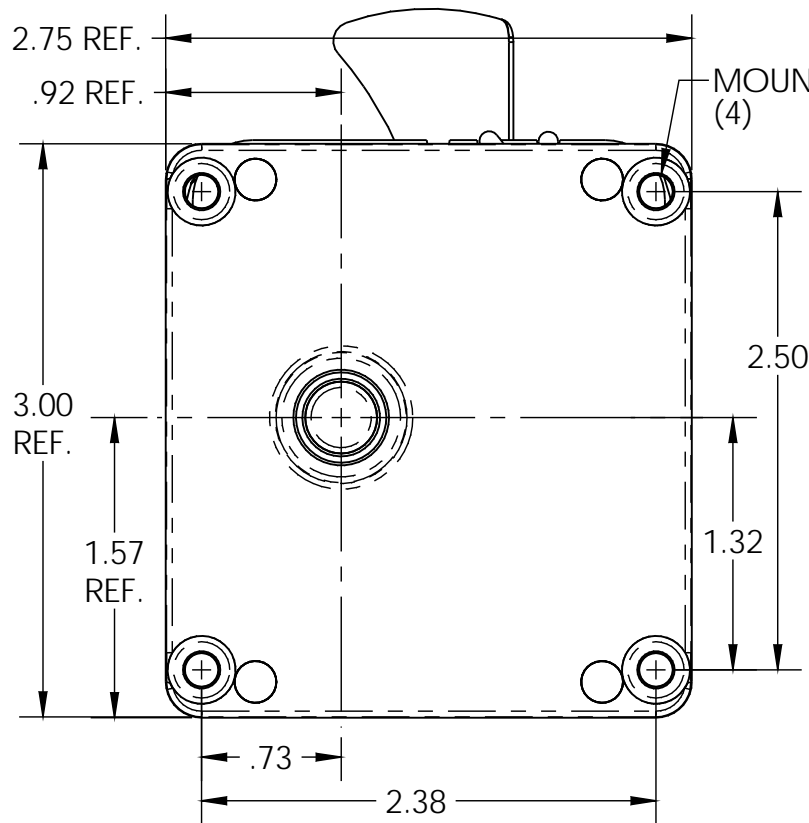
**MULTI PRODUCTS**  
Company, Inc.

PART NAME/DESCRIPTION: **MODEL 7000 AC, DEEP COVER**

DRAWN BY: DAB    DATE: 9/26/2017    SCALE: 1:1    MATERIAL: SEE BOM

CHK'D BY: -    DATE: -    PART NUMBER: **MOD-7000-AC**

APPR'D BY: -    DATE: -



**FEATURES:**

- INDUSTRY STANDARD MOUNTING PATTERN
- OUTPUT SPEEDS FROM 4-200 RPM
- AC VOLTAGES FROM 120 THRU 240
- DIE CAST ZINC CASE
- OP SHAFT  $\phi$ .31 TO  $\phi$ .38
- CUSTOMER SPEC'D FLATS, KEYWAYS, HOLES, ETC

<b>STACK SIZE "X"</b>	.63	.75	1.06	2.00
<b>OVERALL SIZE "Y"</b>	2.59	2.71	3.04	3.96

**TOLERANCES**

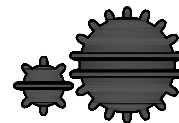
X.XX:  $\pm$ .010

X.XXX:  $\pm$ .005

FRACTION:  $\pm$ 1/64

ANGLE:  $\pm$ 2°

UNLESS OTHERWISE SPECIFIED



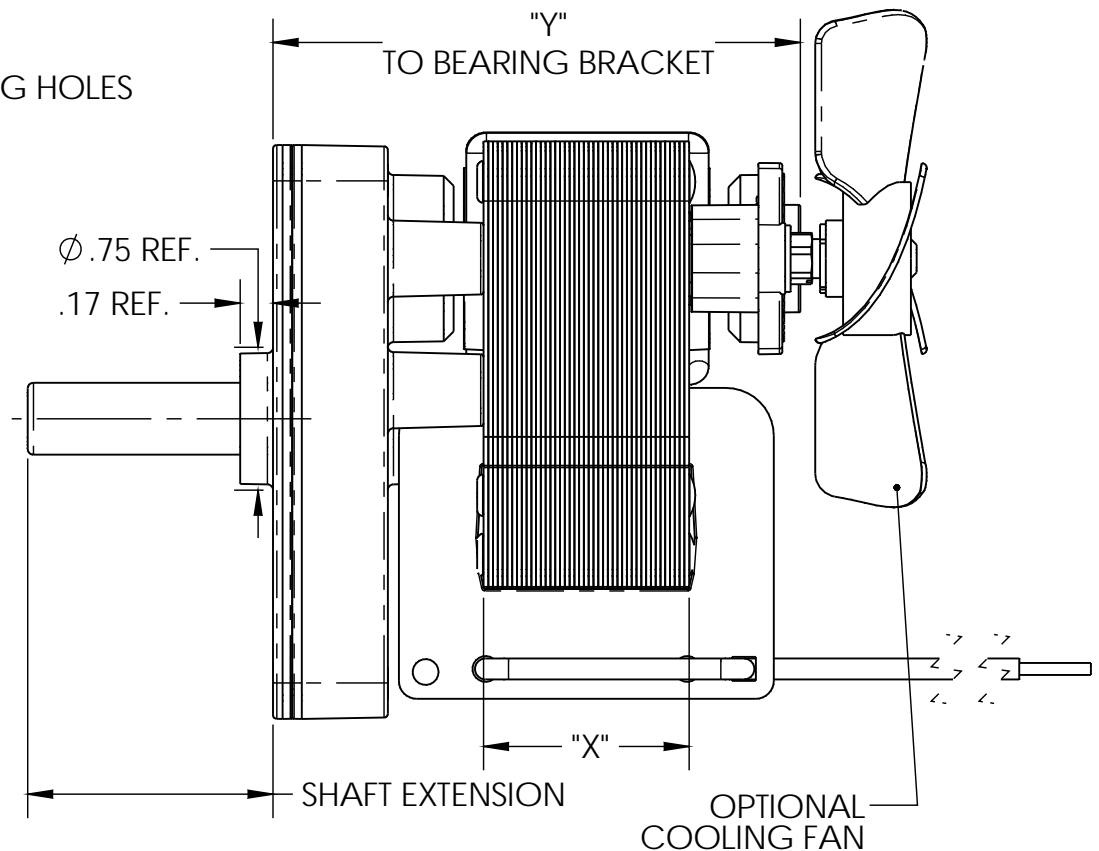
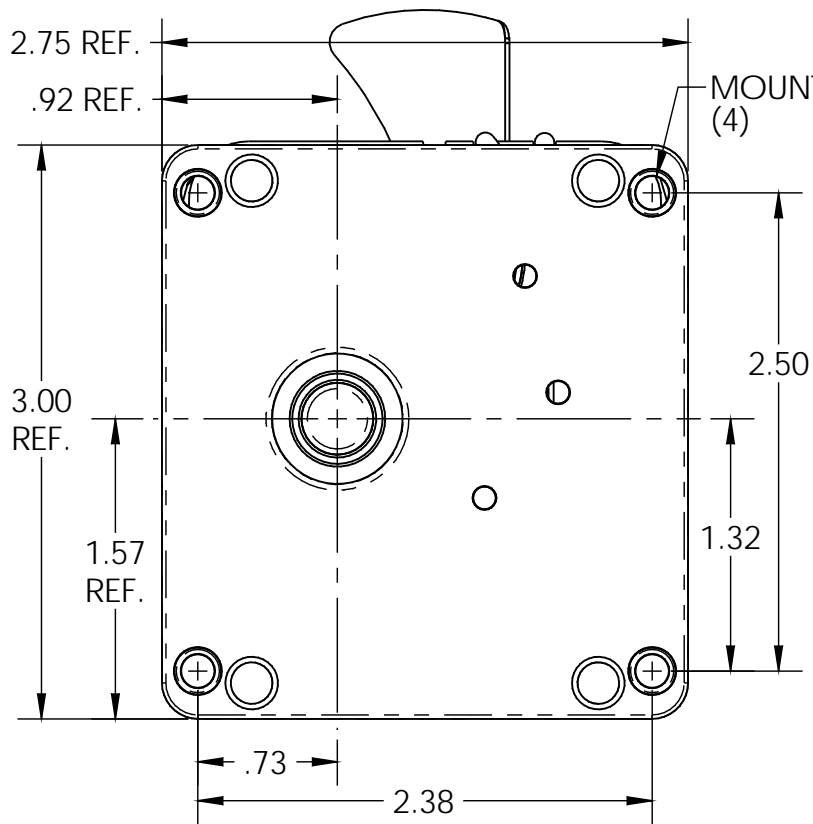
**MULTI PRODUCTS**  
Company, Inc.

PART NAME/DESCRIPTION: **MODEL 7000X AC, DEEP COVER**

DRAWN BY: DAB      DATE: 10/9/2017      SCALE: 1:1      MATERIAL: SEE BOM

CHK'D BY: -      DATE: -      PART NUMBER: **MOD-7000X-AC**

APPR'D BY: -      DATE: -



**FEATURES:**

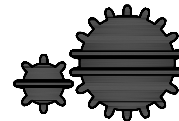
- INDUSTRY STANDARD MOUNTING PATTERN
- OUTPUT SPEEDS FROM 4-200 RPM
- AC VOLTAGES FROM 120 THRU 240
- DIE CAST ZINC CASE
- OP SHAFT  $\phi$ .31 TO  $\phi$ .38
- CUSTOMER SPEC'D FLATS, KEYWAYS, HOLES, ETC

<b>STACK SIZE "X"</b>	.63	.75	1.06	2.00
<b>OVERALL SIZE "Y"</b>	2.31	2.43	2.76	3.68

**TOLERANCES**

- X.XX:  $\pm$ .010
- X.XXX:  $\pm$ .005
- FRACTION:  $\pm$ 1/64
- ANGLE:  $\pm$ 2°

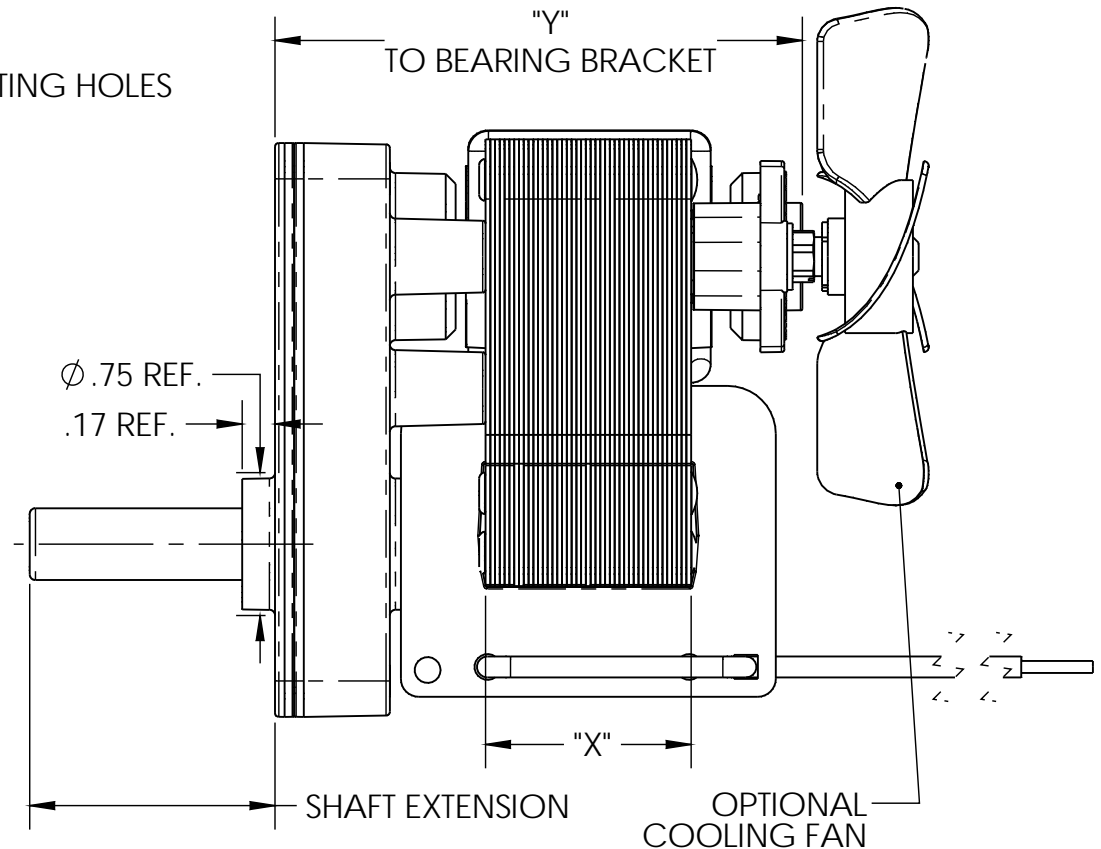
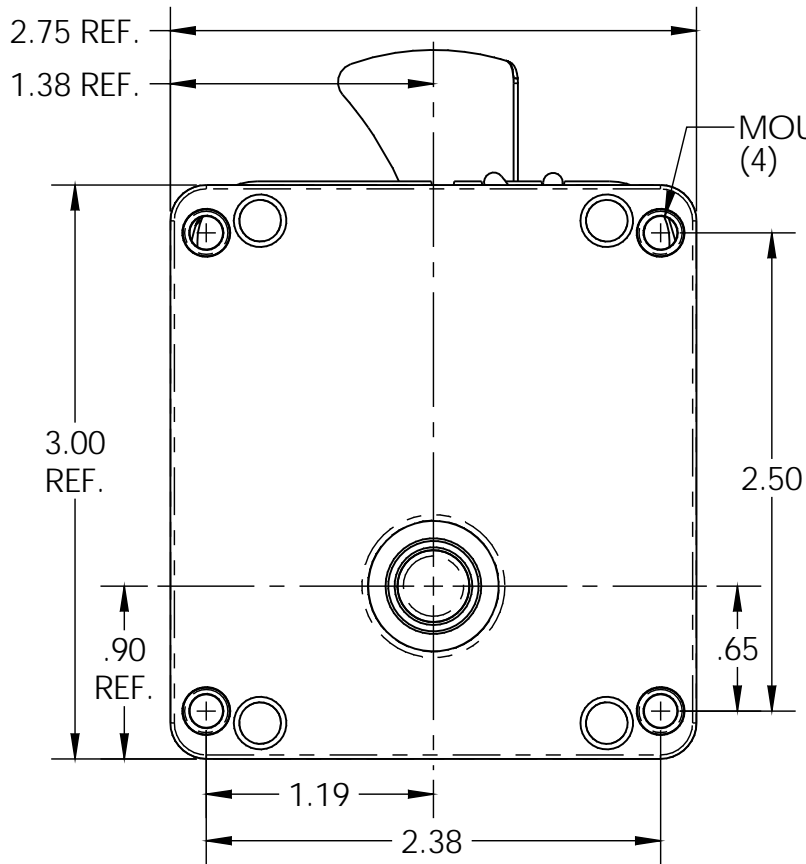
UNLESS OTHERWISE SPECIFIED



**MULTI PRODUCTS**  
Company, Inc.

PART NAME/DESCRIPTION: **MODEL 7000X AC, FLAT COVER**

DRAWN BY: DAB	DATE: 10/9/2017	SCALE: 1:1	MATERIAL: SEE BOM
CHK'D BY: -	DATE:	PART NUMBER: <b>MOD-7000X-AC</b>	
APPR'D BY: -	DATE:		



**FEATURES:**

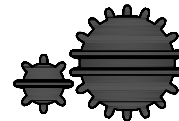
- INDUSTRY STANDARD MOUNTING PATTERN
- OUTPUT SPEEDS FROM 4-200 RPM
- AC VOLTAGES FROM 120 THRU 240
- DIE CAST ZINC CASE
- OP SHAFT  $\phi$  .31 TO  $\phi$  .38
- CUSTOMER SPEC'D FLATS, KEYWAYS, HOLES, ETC

<b>STACK SIZE "X"</b>	<b>.63</b>	<b>.75</b>	<b>1.06</b>	<b>2.00</b>
<b>OVERALL SIZE "Y"</b>	<b>2.31</b>	<b>2.43</b>	<b>2.76</b>	<b>3.68</b>

**TOLERANCES**

- X.XX :  $\pm 010$
- X.XXX :  $\pm 005$
- FRACTION:  $\pm 1/64$
- ANGLE:  $\pm 2^\circ$

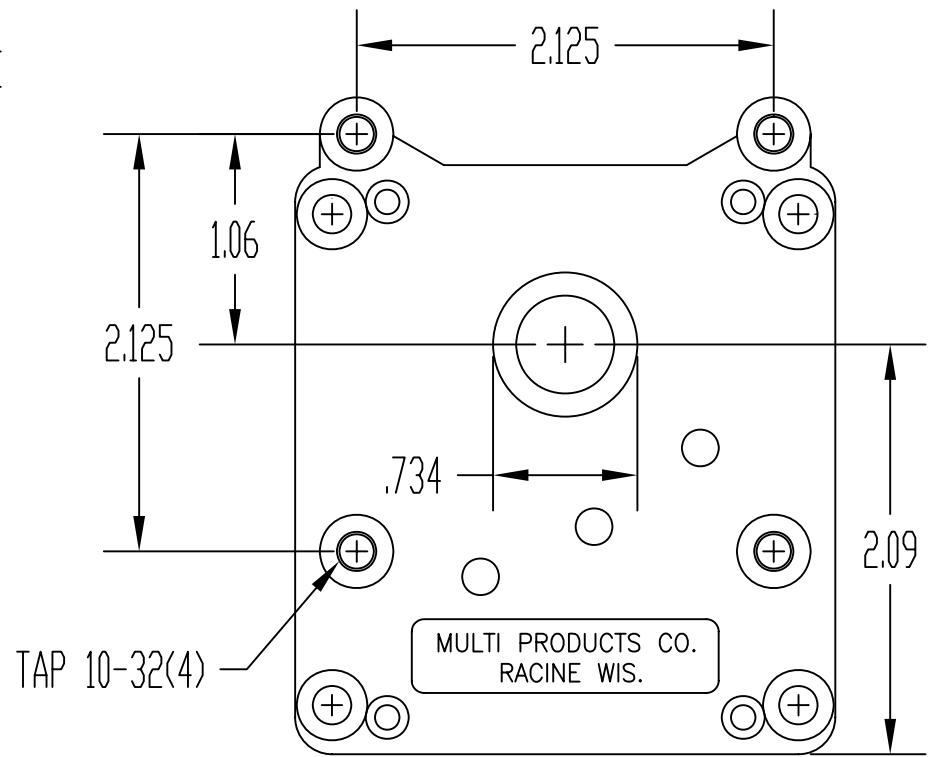
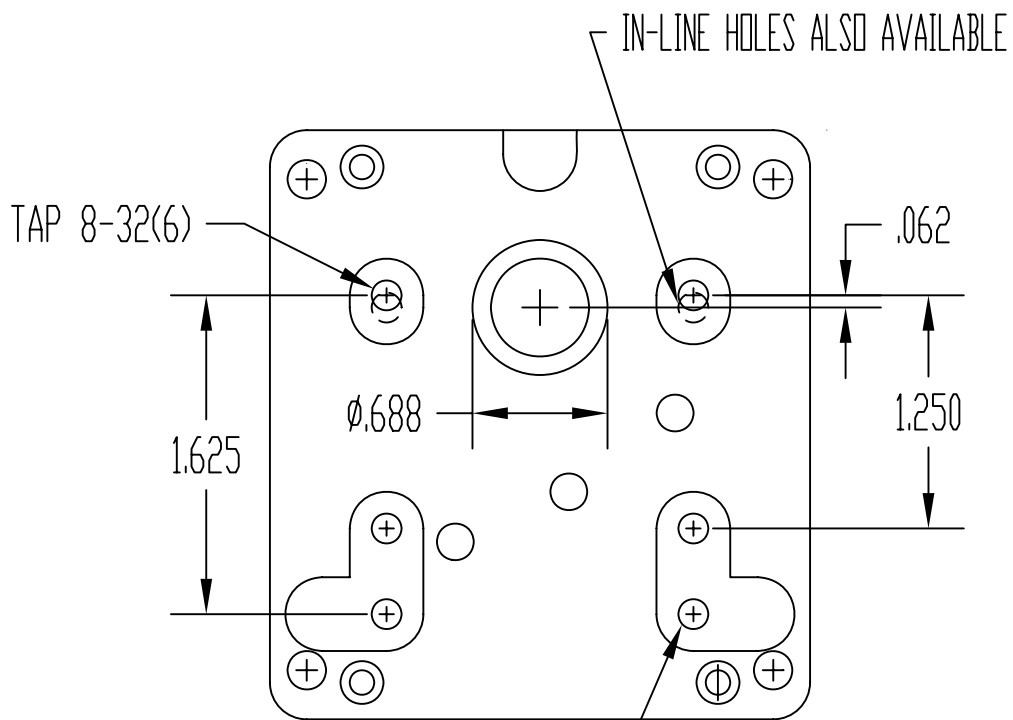
UNLESS OTHERWISE SPECIFIED



**MULTI PRODUCTS**  
Company, Inc.

PART NAME/DESCRIPTION: **MODEL 7000 AC, FLAT COVER**

DRAWN BY: DAB	DATE: 9/26/2017	SCALE: 1:1	MATERIAL: SEE BOM
CHK'D BY: -	DATE:	PART NUMBER: <b>MOD-7000-AC</b>	
APPR'D BY: -	DATE:		



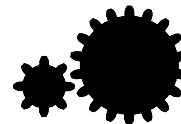
TAP DIMS. TO BE ESTABLISHED  
PER CUSTOMER

PAGE 2 OF 2

TOLERANCES

X.XX = ±.010  
 X.XXX = ±.005  
 FRACTION = ±1/64  
 DEGREE = ±2°

UNLESS OTHERWISE SPECIFIED

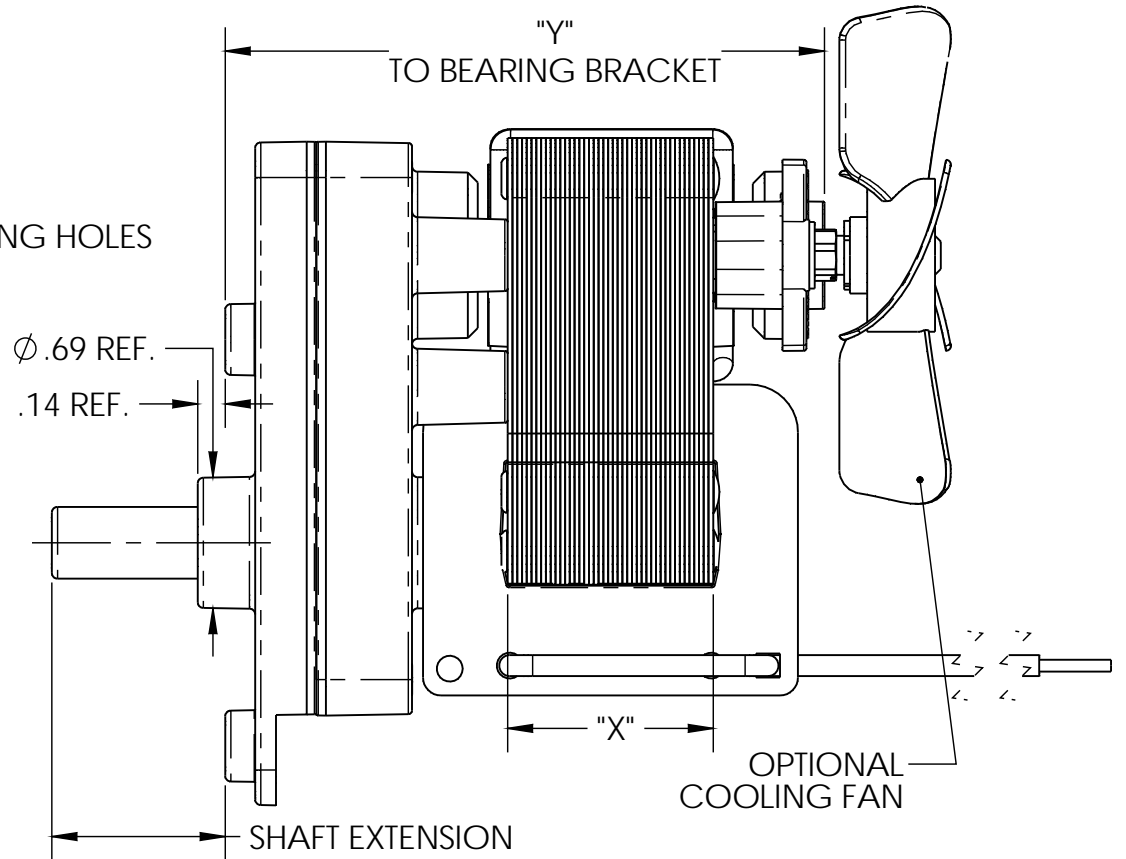
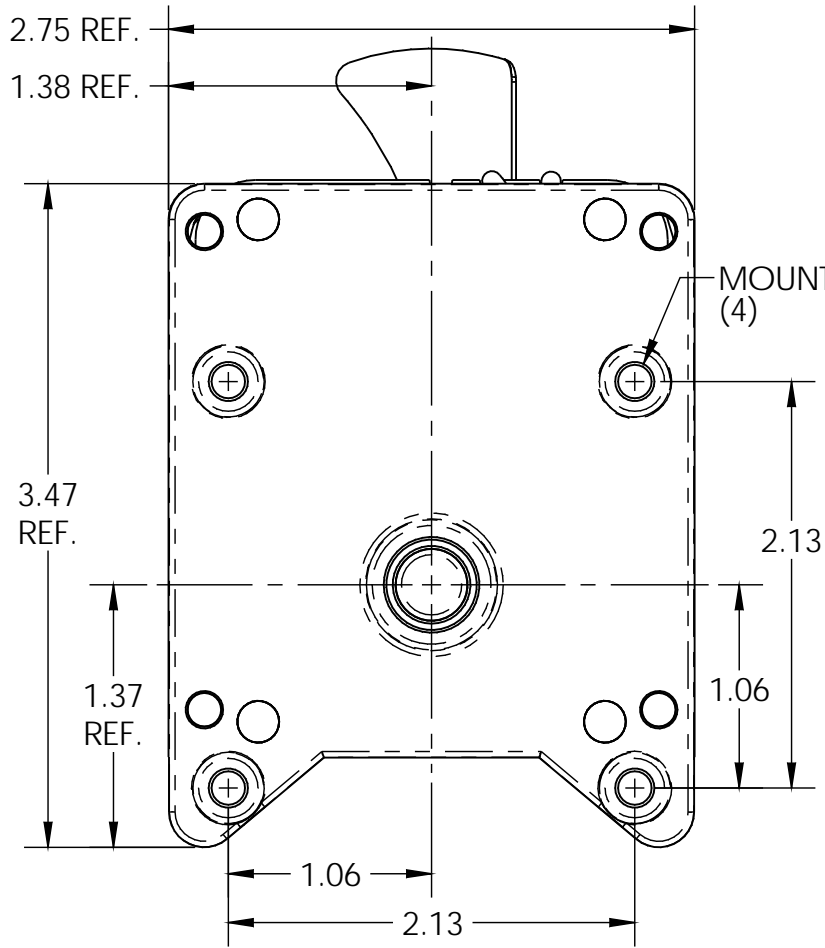


**MULTI PRODUCTS**  
 Company, Inc.

PART NAME/DESCRIPTION MODEL 7000DC DEEP COVER MOUNTS

DRAWN BY: PJ	DATE: 2-16-05	SCALE:	MATERIAL:
CHK'D BY: RP	DATE: 3-4-05	PART NUMBER:	
APPR'D BY:	DATE:	MOD-7000D-DCM	

REV	REVISION	DATE	ECO#
-----	----------	------	------



**FEATURES:**

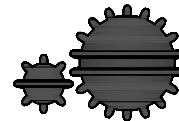
- INDUSTRY STANDARD MOUNTING PATTERN
- OUTPUT SPEEDS FROM 4-200 RPM
- AC VOLTAGES FROM 120 THRU 240
- DIE CAST ZINC CASE
- OP SHAFT  $\phi$  .31 TO  $\phi$  .38
- CUSTOMER SPEC'D FLATS, KEYWAYS, HOLES, ETC

<b>STACK SIZE "X"</b>	.63	.75	1.06	2.00
<b>OVERALL SIZE "Y"</b>	2.68	2.81	3.13	4.06

**TOLERANCES**

- X.XX:  $\pm$ .010
- X.XXX:  $\pm$ .005
- FRACTION:  $\pm$ 1/64
- ANGLE:  $\pm$ 2°

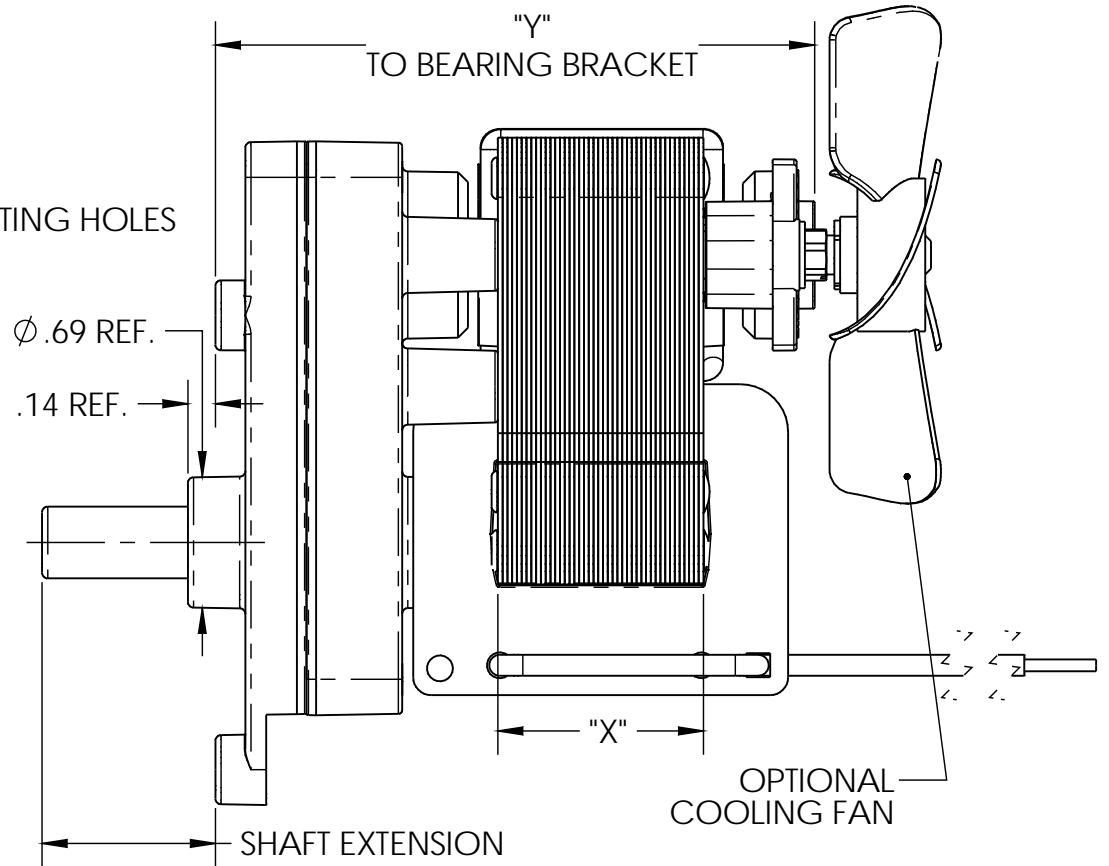
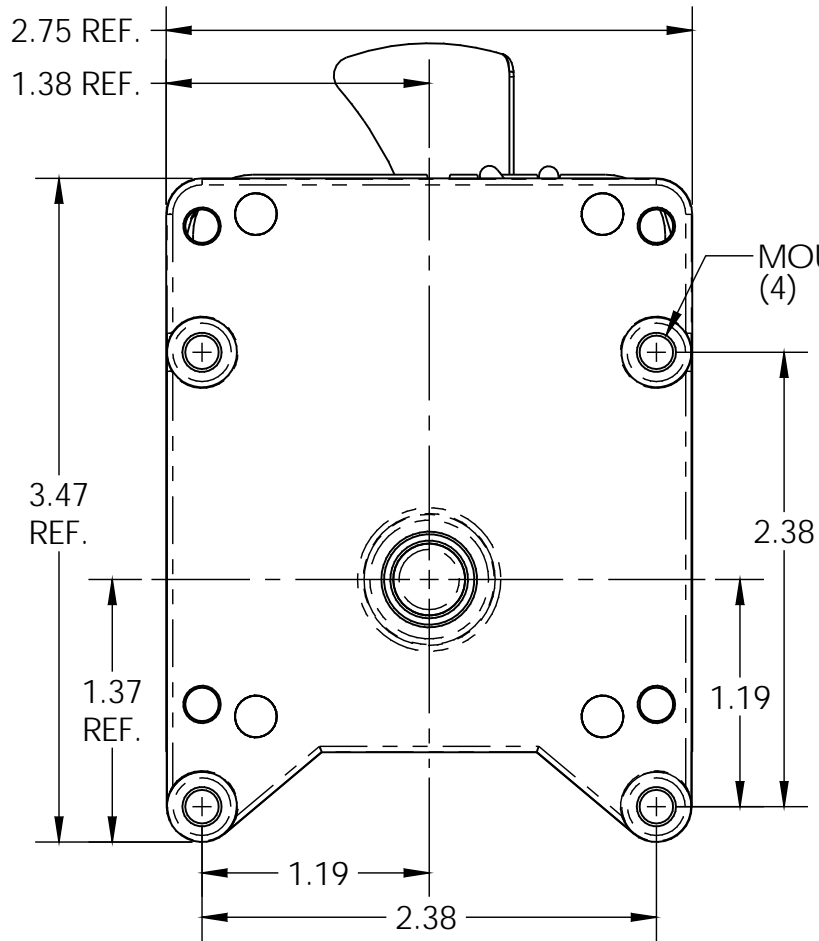
UNLESS OTHERWISE SPECIFIED



**MULTI PRODUCTS**  
Company, Inc.

PART NAME/DESCRIPTION: MODEL 7000 AC, SQUARE COVER, 2.125"

DRAWN BY: DAB	DATE: 9/26/2017	SCALE: 1:1	MATERIAL: SEE BOM
CHK'D BY: -	DATE:	PART NUMBER: MOD-7000-AC	
APPR'D BY: -	DATE:		



**FEATURES:**

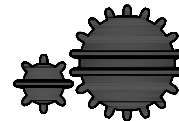
- INDUSTRY STANDARD MOUNTING PATTERN
- OUTPUT SPEEDS FROM 4-200 RPM
- AC VOLTAGES FROM 120 THRU 240
- DIE CAST ZINC CASE
- OP SHAFT  $\phi$ .31 TO  $\phi$ .38
- CUSTOMER SPEC'D FLATS, KEYWAYS, HOLES, ETC

<b>STACK SIZE "X"</b>	.63	.75	1.06	2.00
<b>OVERALL SIZE "Y"</b>	2.68	2.81	3.13	4.06

**TOLERANCES**

- X.XX:  $\pm$ .010
- X.XXX:  $\pm$ .005
- FRACTION:  $\pm$ 1/64
- ANGLE:  $\pm$ 2°

UNLESS OTHERWISE SPECIFIED



**MULTI PRODUCTS**  
Company, Inc.

PART NAME/DESCRIPTION: MODEL 7000 AC, SQUARE COVER, 2.375"

DRAWN BY: DAB	DATE: 9/26/2017	SCALE: 1:1	MATERIAL: SEE BOM
CHK'D BY: -	DATE:	PART NUMBER: MOD-7000-AC	
APPR'D BY: -	DATE:		