

PART# WILL BE LOCATED HERE

(2) 1/32" FLATS 90° APART

(4) 8-32 HOLES TAPPED

(4) 8-32 HOLES TAPPED

SHAFT TYPE "A"

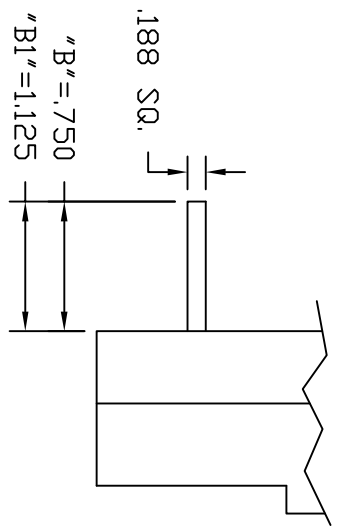
TYPICAL PERFORMANCE
 SPEED: 2.0 R.P.M @ 60HZ
 60 IN-LBS CLASS H INSULATION-UL14 VERSION
 30 IN-LBS CLASS H INSULATION-UL6, UL12 VERSION

L1 WHITE
 L2 BLACK
 WIRING-"BW"

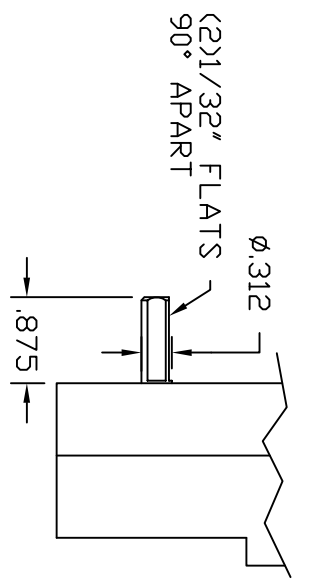
NOTE: ALL DIMENSIONS ARE FOR REFERENCE ONLY.

PAGE 1 OF 2

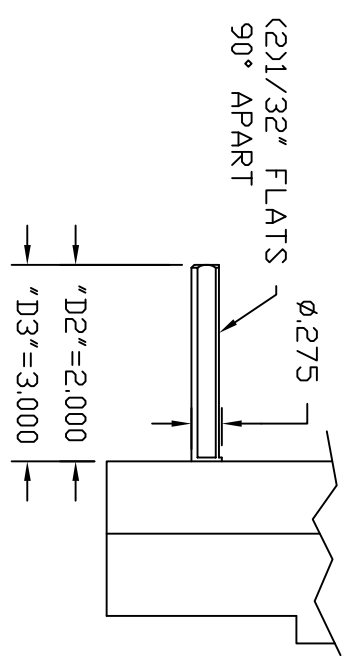
		<p>MULTI PRODUCTS C o m p a n y, I n c.</p>	
<p>PART NAME/DESCRIPTION: TORQUEBOX-OUTLINE</p>			
<p>DRAWN BY: PJ</p>	<p>DATE: 3-27-06</p>	<p>SCALE: 1/2</p>	<p>MATERIAL:</p>
<p>CHK'D BY:</p>	<p>DATE:</p>	<p>PART NUMBER:</p>	<p>TB-VARIOUS</p>
<p>APPR'D BY:</p>	<p>DATE:</p>	<p>REV REVISION DATE ECO#</p>	



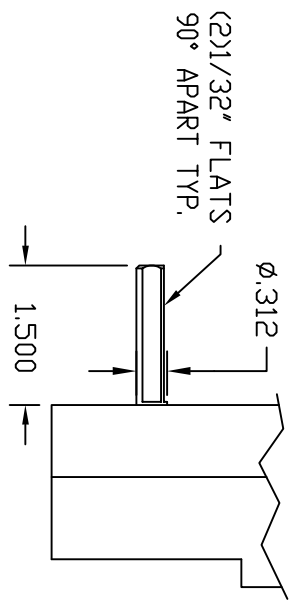
SHAFT TYPE "B"



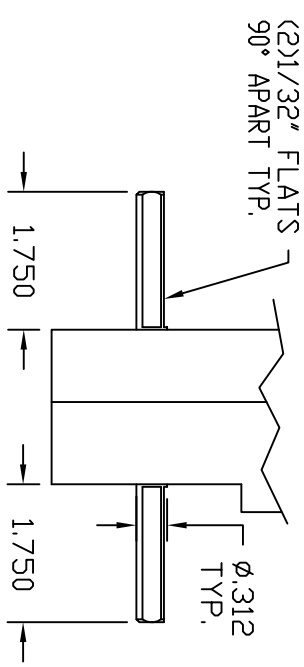
SHAFT TYPE "C"



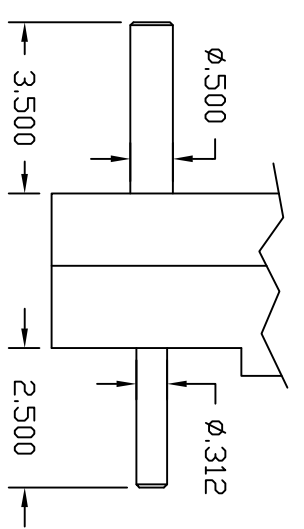
SHAFT TYPE "D"



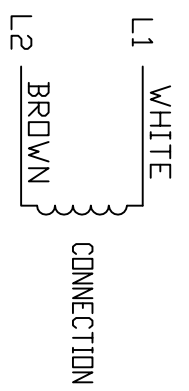
SHAFT TYPE "E"



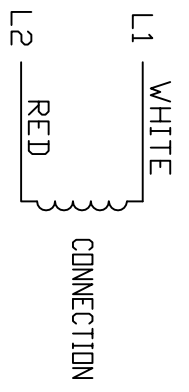
SHAFT TYPE "F"



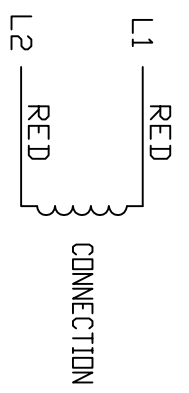
SHAFT TYPE "G"



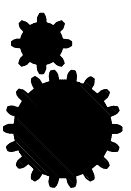
WIRING-"BRW"



WIRING-"RW"



WIRING-"RR"



MULTI PRODUCTS
C o m p a n y, I n c.

TORQUEBOX-OUTLINE

PART NAME/DESCRIPTION

DRAWN BY: PJ DATE: 3-27-06

CHK'D BY: DATE:

APPR'D BY: DATE:

SCALE: 1/2 MATERIAL:

PART NUMBER:

TB-VARIOUS

REV	REVISION	DATE	ECO#