

**FEATURES:**

- INDUSTRY STANDARD MOUNTING PATTERN
- OUTPUT SPEEDS FROM 8-200 RPM
- 12 OR 24 VOLTS DC
- DIE CAST ZINC CASE
- OP SHAFT  $\phi .25$  TO  $\phi .31$
- CUSTOMER SPEC'D FLATS, KEYWAYS, HOLES, ETC

<b>MOTOR SIZE "X"</b>	$\phi$ 1.09 (28 MM)	$\phi$ 1.41 (36 MM)
<b>OVERALL SIZE "Y"</b>	2.96	2.41

**TOLERANCES**

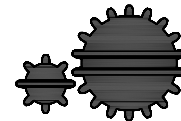
X.XX :  $\pm 010$

X.XXX :  $\pm 005$

FRACTION:  $\pm 1/64$

ANGLE:  $\pm 2^\circ$

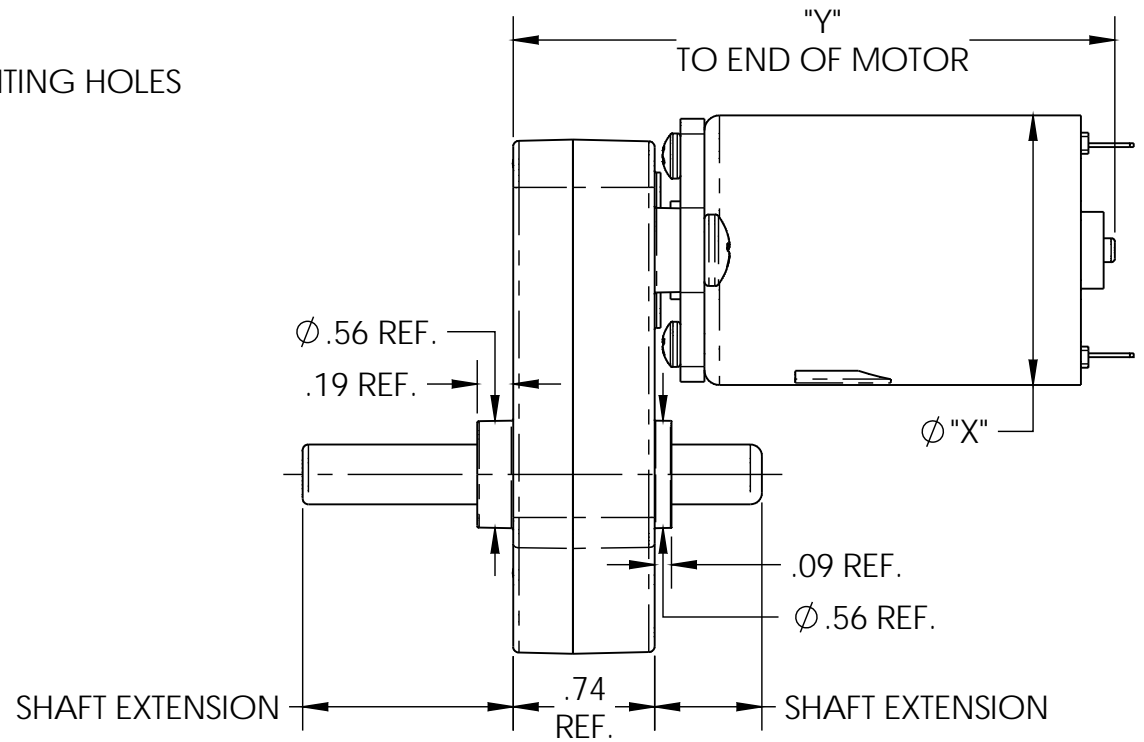
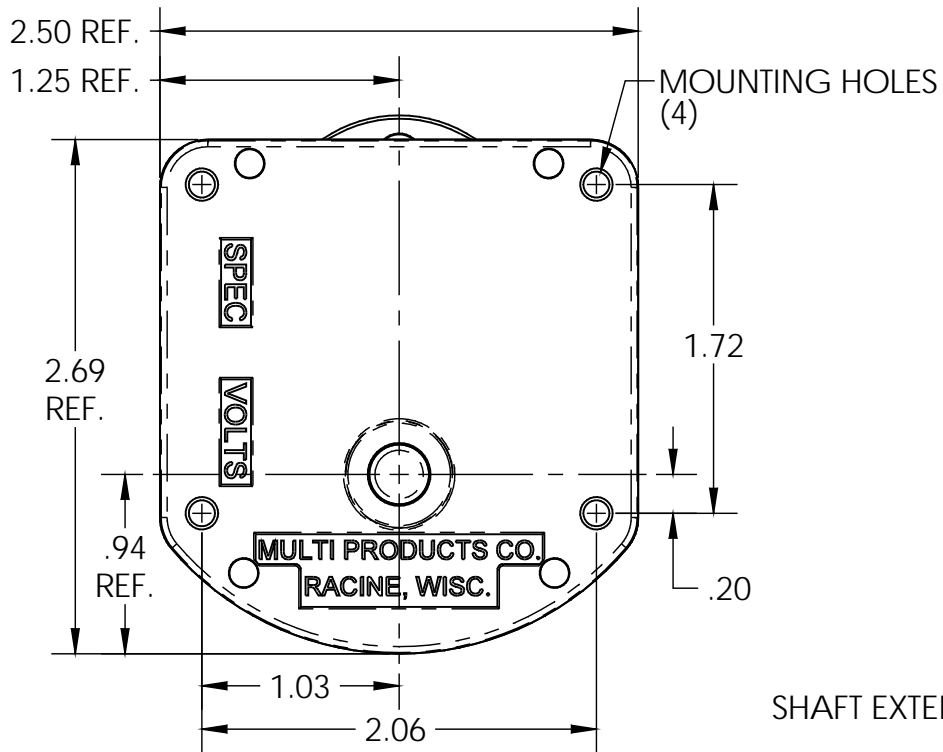
UNLESS OTHERWISE SPECIFIED



**MULTI PRODUCTS**  
Company, Inc.

PART NAME/DESCRIPTION: **MODEL 8000 DC, FLAT COVER**

DRAWN BY: DAB	DATE: 10/11/2017	SCALE: 1:1	MATERIAL:
CHK'D BY:	DATE:	PART NUMBER:	<b>MOD-8000-DC</b>
APPR'D BY:	DATE:		



**FEATURES:**

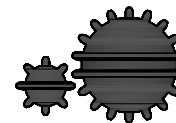
- INDUSTRY STANDARD MOUNTING PATTERN
- OUTPUT SPEEDS FROM 8-200 RPM
- 12 OR 24 VOLTS DC
- DIE CAST ZINC CASE
- OP SHAFT  $\phi$ .25 TO  $\phi$ .31
- CUSTOMER SPEC'D FLATS, KEYWAYS, HOLES, ETC

<b>MOTOR SIZE "X"</b>	$\phi$ 1.09 (28 MM)	$\phi$ 1.41 (36 MM)
<b>OVERALL SIZE "Y"</b>	2.60	3.15

**TOLERANCES**

X.XX :  $\pm$ .010  
 X.XXX :  $\pm$ .005  
 FRACTION :  $\pm$ 1/64  
 ANGLE :  $\pm$ 2°

UNLESS OTHERWISE SPECIFIED



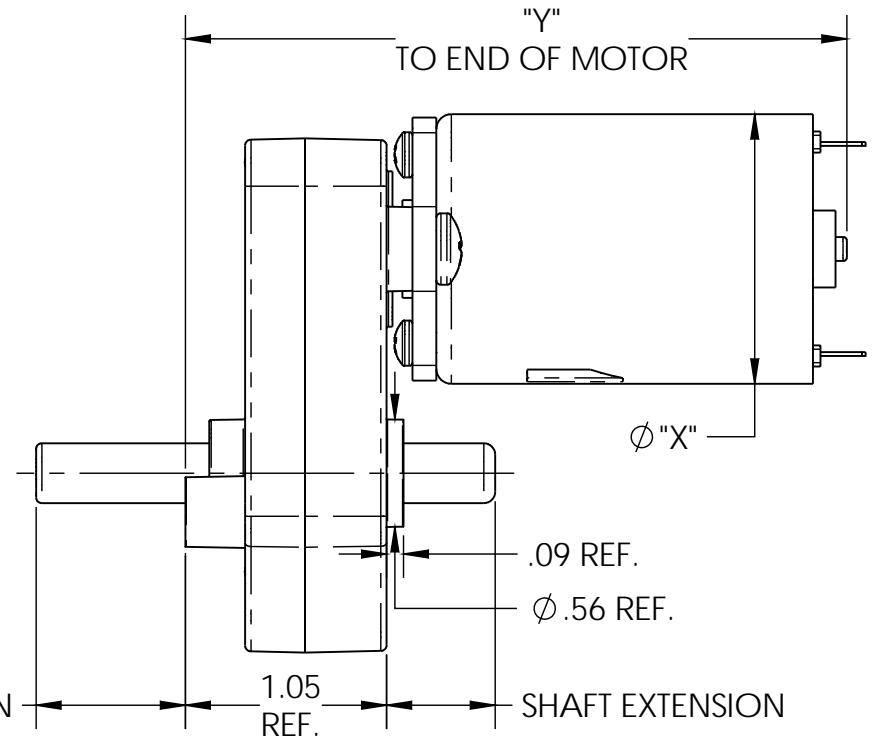
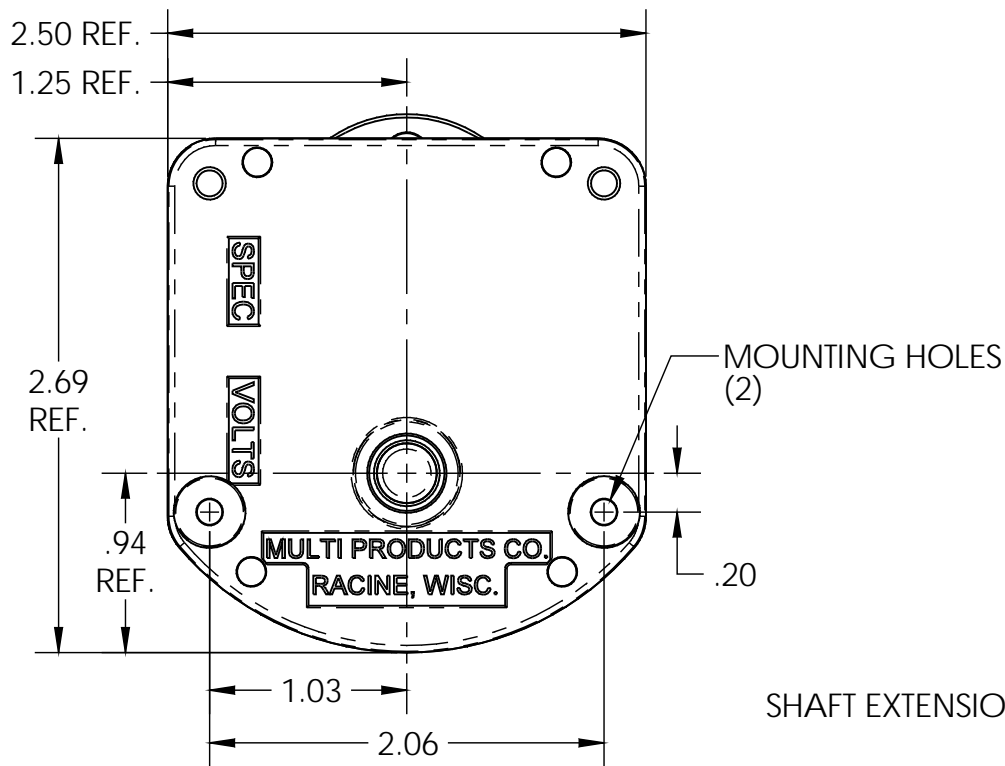
**MULTI PRODUCTS**  
 Company, Inc.

PART NAME/DESCRIPTION: **MODEL 8000 DC, DEEP COVER**

DRAWN BY: DAB	DATE: 10/11/2017	SCALE: 1:1	MATERIAL:
---------------	------------------	------------	-----------

CHK'D BY:	DATE:	PART NUMBER: <b>MOD-8000-DC</b>
-----------	-------	---------------------------------

APPR'D BY:	DATE:	
------------	-------	--



**FEATURES:**

- INDUSTRY STANDARD MOUNTING PATTERN
- OUTPUT SPEEDS FROM 8-200 RPM
- 12 OR 24 VOLTS DC
- DIE CAST ZINC CASE
- OP SHAFT  $\phi$  .25 TO  $\phi$  .31
- CUSTOMER SPEC'D FLATS, KEYWAYS, HOLES, ETC

<b>MOTOR SIZE "X"</b>	$\phi$ 1.09 (28 MM)	$\phi$ 1.41 (36 MM)
<b>OVERALL SIZE "Y"</b>	2.91	3.46

**TOLERANCES**

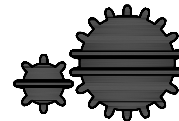
X.XX :  $\pm$ .010

X.XXX :  $\pm$ .005

FRACTION:  $\pm$ 1/64

ANGLE:  $\pm$ 2°

UNLESS OTHERWISE SPECIFIED



**MULTI PRODUCTS**  
Company, Inc.

PART NAME/DESCRIPTION: **MODEL 8000 DC, DEEP COVER W/POSTS**

DRAWN BY: DAB	DATE: 10/11/2017	SCALE: 1:1	MATERIAL:
CHK'D BY:	DATE:	PART NUMBER:	<b>MOD-8000-DC</b>
APPR'D BY:	DATE:		