

FEATURES:

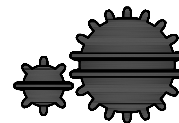
- INDUSTRY STANDARD MOUNTING PATTERN
- OUTPUT SPEEDS FROM 8-25 RPM
- 12 OR 24 VOLTS DC
- DIE CAST ZINC CASE
- OP SHAFT Ø .31 TO Ø .38
- OP SHAFT FRONT, REAR OR BOTH
- CUSTOMER SPEC'D FLATS, KEYWAYS, HOLES, ETC

MOTOR SIZE "X"	Ø 1.46 (35 MM)	Ø 1.58 (40 MM)
OVERALL SIZE "Y"	3.12	3.61

TOLERANCES

- X.XX : ±010
- X.XXX : ±005
- FRACTION: ±1/64
- ANGLE: ±2°

UNLESS OTHERWISE SPECIFIED

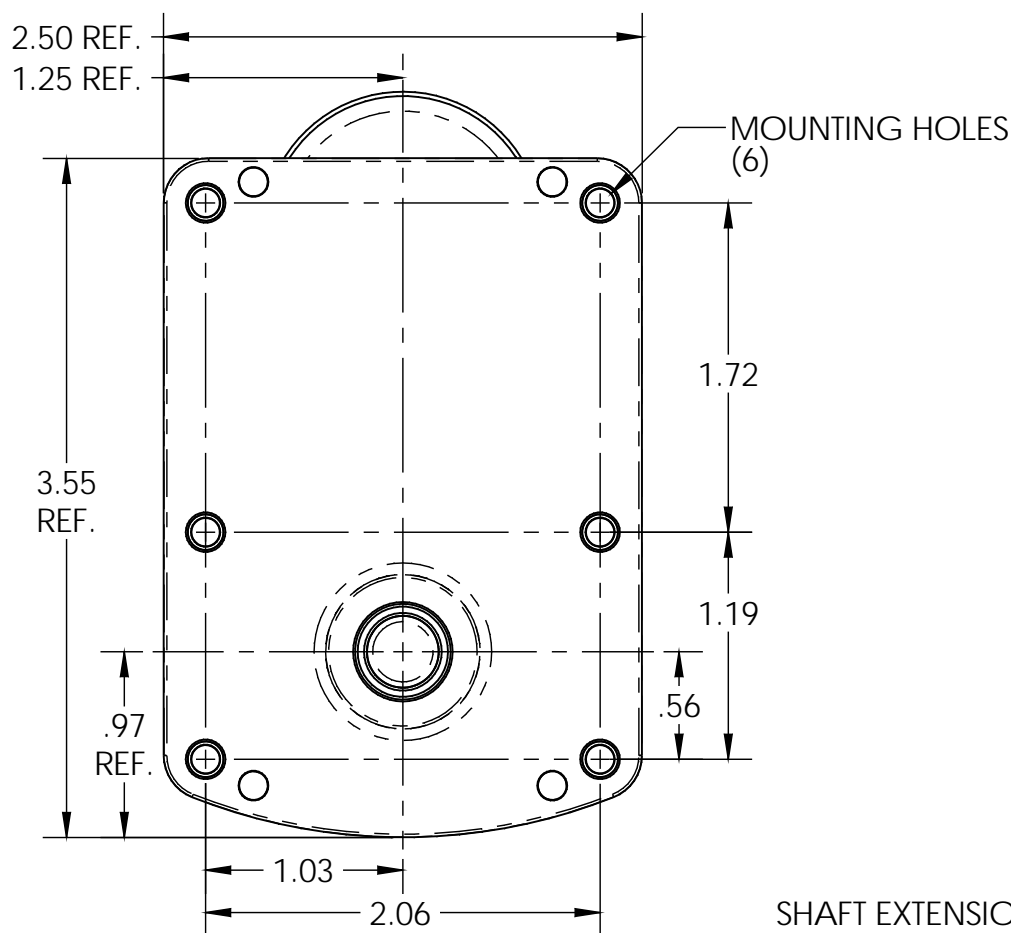


MULTI PRODUCTS
Company, Inc.

PART NAME/DESCRIPTION: **MODEL 6000 DC, 5 PADS, OFFSET**

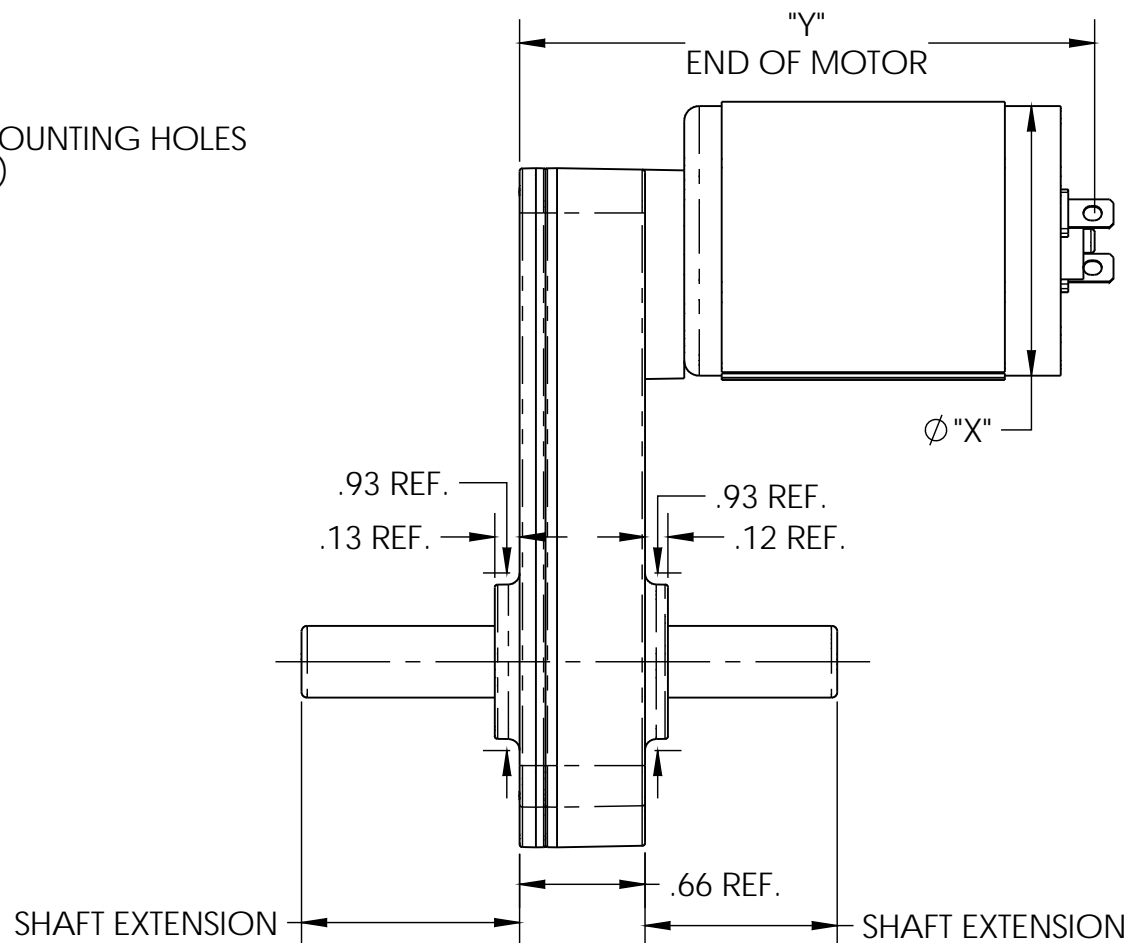
DRAWN BY: DAB	DATE: 9/20/2017	SCALE: 1:1	MATERIAL: Material <not specified>
---------------	-----------------	------------	------------------------------------

CHK'D BY: -	DATE:	PART NUMBER: MOD-6000-DC
APPR'D BY: -	DATE:	



FEATURES:

- INDUSTRY STANDARD MOUNTING PATTERN
- OUTPUT SPEEDS FROM 8-25 RPM
- 12 OR 24 VOLTS DC
- DIE CAST ZINC CASE
- OP SHAFT ϕ .31 TO ϕ .38
- OP SHAFT FRONT, REAR OR BOTH
- CUSTOMER SPEC'D FLATS, KEYWAYS, HOLES, ETC

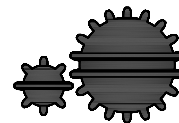


MOTOR SIZE "X"	ϕ 1.46 (35 MM)	ϕ 1.58 (40 MM)
OVERALL SIZE "Y"	3.73	3.47

TOLERANCES

- X.XX: \pm .010
- X.XXX: \pm .005
- FRACTION: \pm 1/64
- ANGLE: \pm 2°

UNLESS OTHERWISE SPECIFIED



MULTI PRODUCTS
Company, Inc.

PART NAME/DESCRIPTION: **MODEL 6000 DC, NO PADS**

DRAWN BY: DAB DATE: 9/20/2017 SCALE: 1:1 MATERIAL: Material <not specified>

CHK'D BY: - DATE: - PART NUMBER: **MOD-6000-DC**

APPR'D BY: - DATE: -