

FEATURES:

- INDUSTRY STANDARD MOUNTING PATTERN
- OUTPUT SPEEDS FROM 8-25 RPM
- AC VOLTAGES FROM 120 THRU 240
- DIE CAST ZINC CASE
- OP SHAFT ϕ .31 TO ϕ .38
- CUSTOMER SPEC'D FLATS, KEYWAYS, HOLES, ETC

STACK SIZE "X"	.63	.75	1.06	2.00
OVERALL SIZE "Y"	2.56	2.69	3.01	3.94

TOLERANCES

X.XX : \pm .010

X.XXX : \pm .005

FRACTION: \pm 1/64

ANGLE: \pm 2°

UNLESS OTHERWISE SPECIFIED



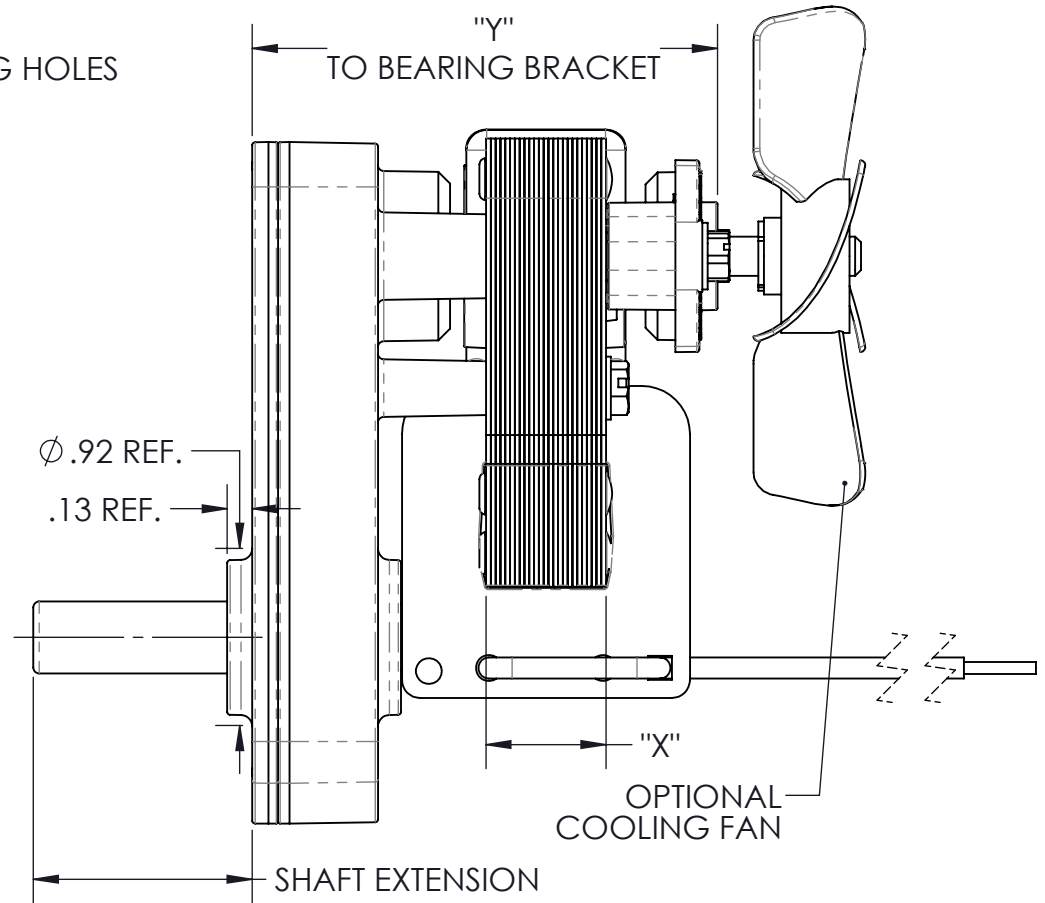
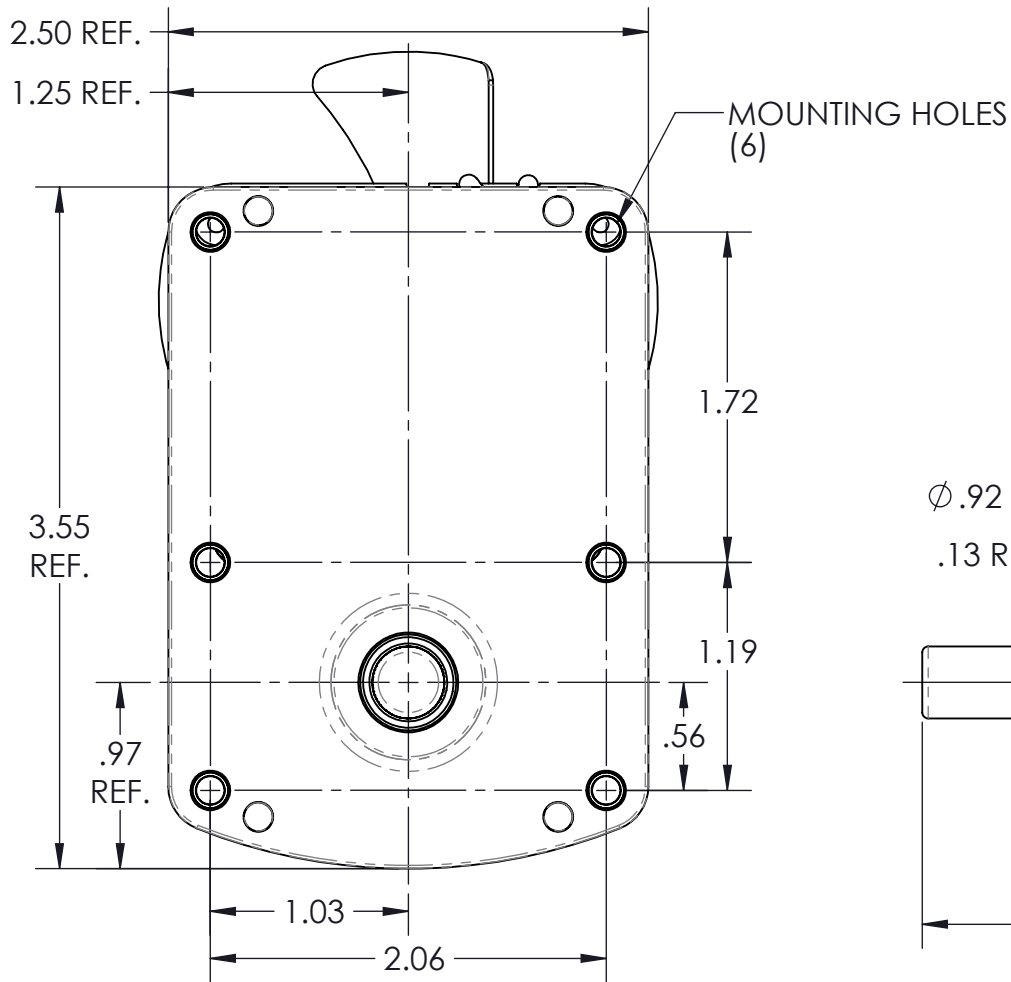
MULTI PRODUCTS
Company, Inc.

PART NAME/DESCRIPTION: **MODEL 6000 AC, 5 PADS, OFFSET**

DRAWN BY: DAB	DATE: 9/22/2017	SCALE: 1:1	MATERIAL: SEE BOM
---------------	-----------------	------------	-------------------

CHK'D BY: -	DATE:	PART NUMBER:	MOD-6000-AC
-------------	-------	--------------	--------------------

APPR'D BY: -	DATE:		
--------------	-------	--	--



FEATURES:

- INDUSTRY STANDARD MOUNTING PATTERN
- OUTPUT SPEEDS FROM 8-25 RPM
- AC VOLTAGES FROM 120 THRU 240
- DIE CAST ZINC CASE
- OP SHAFT $\phi .31$ TO $\phi .38$
- CUSTOMER SPEC'D FLATS, KEYWAYS, HOLES, ETC

STACK SIZE "X"	.63	.75	1.06	2.00
OVERALL SIZE "Y"	2.42	2.55	2.87	3.80

TOLERANCES

X.XX : $\pm .010$

X.XXX : $\pm .005$

FRACTION: $\pm 1/64$

ANGLE: $\pm 2^\circ$

UNLESS OTHERWISE SPECIFIED



MULTI PRODUCTS
Company, Inc.

PART NAME/DESCRIPTION: **MODEL 6000 AC, NO PADS**

DRAWN BY: DAB	DATE: 9/22/2017	SCALE: 1:1	MATERIAL: SEE BOM
CHK'D BY: -	DATE:	PART NUMBER:	MOD-6000-AC
APPR'D BY: -	DATE:		

WWW.MULTIPRODUCTS.COM 262-554-3700