



MULTIPRODUCTS
C o m p a n y , I n c .

Quality Crafted Gearmotors Since 1958





IT'S THE PEOPLE.....



.....NOT JUST THE PRODUCT!!!

Since 1958 Multi Products Company has been servicing the individual needs and requirements of our customers with exceptional Quality, Short Lead-Times, and Continuous On-Time Delivery.

We pride ourselves on the ability to meet the changing needs and requirements of our customers and their markets with unsurpassed customer service.

Just give us a call. With over 45 years experience, we can prove it!

AC PERFORMANCE MATRIX

REF.	5/8" STACK			3/4" STACK			1-1/16" STACK			1-1/4" STACK			2" STACK			Reference Gear Reducer Models									
	DUTY CYCLE			DUTY CYCLE			DUTY CYCLE			DUTY CYCLE			DUTY CYCLE												
	RPM	100%	50%	25%	100%	50%	25%	100%	50%	25%	100%	50%	25%	100%	50%	25%									
1	135	175	190	195	200	200	200	200	200	200	200	200	200	200	200	200	400/406 - Open Frame 5/8" Stack Max - 50 inlb Max.	440 - Low Profile - 80 inlb Max.	302 - Star - 150 inlb Max.	1600 - 150 inlb Max.	6000 - 75 inlb Max.	7000 - 75 inlb Max.	7000x - 50 inlb Max.	8000 - 50 inlb Max.	9000 - 200 inlb Max.
2	65	90	95	98	136	162	140	200	200	163	200	200	200	200	200										
4	35	44	48	49	68	81	70	113	160	82	120	165	105	200	200										
8	17	22	24	25	34	41	35	56	82	47	70	94	53	115	165										
10	14	18	19	19	27	33	28	45	65	38	56	75	42	94	134										
12	12	15	16	16	23	27	23	37	55	31	46	63	35	78	110										
15	9	12	12.5	13	18	22	19	30	44	25	37	50	28	63	90										
20	7	9	9.5	10	14	16	14	22.5	33	18	28	37	21	47	67										
25	5.5	7	7.5	8	11	13	11	18	26	15	22	30	17	37	53										
30	5	6	6.3	6.5	9	11	9.4	15	22	14	21	29	14	31	44										
40	3.5	4.5	4.7	5	6.8	8	7	11	16.4	11	16	21	11	23	34										
50	3	3.5	3.7	4	5.4	6.5	5.6	9	13	8.6	13	17	8.5	19	27										
75	1.5	2	2.2	2.4	3.4	4	3.5	5.6	8.2	5.8	8.5	11.5	5.2	12	17										
100	1.4	1.8	1.9	2	2.7	3.2	2.8	4.5	6.5	4.3	6.4	8.6	4.2	9.4	13										
150	0.9	1.2	1.3	1.3	1.8	2.1	2.2	3.6	5.3	2.9	4.3	5.8	2.8	6.2	8.9										
175	0.8	1	1.1	1.1	1.5	1.8	1.6	2.6	3.8	2.4	3.7	4.9	2.4	5.4	7.6										
200	0.7	0.9	0.9	1	1.3	1.6	1.4	2.2	3.2	2.1	3.2	4	2.1	4.7	6.7										
400	0.5	0.6	0.6	0.7	0.9	1.1	1	1.6	2	1.1	1.6	2	1.5	3	4.8										

The above data is based on in-lb running torque at 60 Hz. For 50 Hz applications multiply speed by 0.83.

Torque values apply to motors operating in normal ambient room temperatures of 25°C.

Mechanical brakes reduce above rated torque by 20%.

Duty Cycle =
$$\frac{\text{Maximum "On Time"}}{\text{Max. "On Time" + Min. "Off Time"}}$$

Duty Cycle	Maximum Allowable Uninterrupted "On Time"
25%	1 Minute
50%	3 Minutes
100%	Over 10 minutes

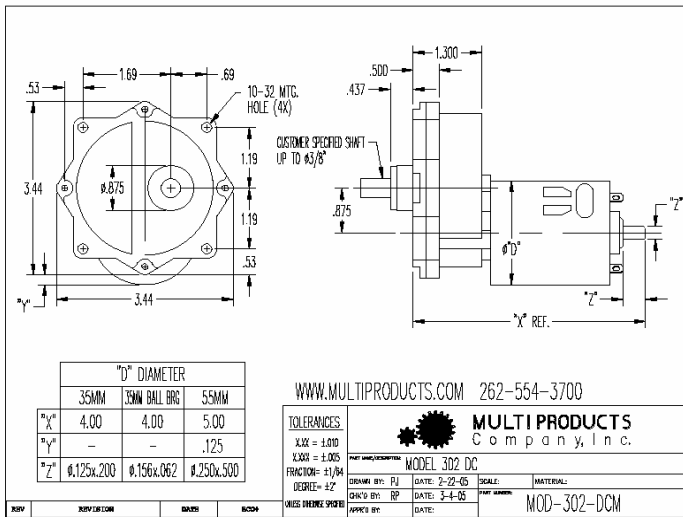
DC PERFORMANCE MATRIX

REF.	26mm Dia.		35mm Dia.		35mm ball bearing		55mm Dia.		Reference Gear Reducer Models								
	100 % DUTY CYCLE - MOTORS ARE NOT DESIGNED FOR STALL																
	RPM	12V	24V	12V	24V	12V	24V	12V	24V								
0.25	N/A	N/A	100	100	N/A	N/A	N/A	N/A	600ADC - Open Frame - 50 inlb Max.	440 - Low Profile - 80 inlb Max.	302 - Star - 150 inlb Max.	1600 - 150 inlb Max.	6000 - 75 inlb Max.	7000 - 75 inlb Max.	6000BDC - Enclosed - 60 inlb Max.	8000 - 50 inlb Max.	9000 - 200 inlb Max.
0.5	80	N/A	100	100	N/A	N/A	N/A	N/A									
1	80	80	100	100	N/A	N/A	N/A	N/A									
2	80	80	100	100	N/A	N/A	N/A	N/A									
4	55	73	80	90	50	N/A	N/A	N/A									
8	24	35	60	80	30	N/A	N/A	N/A									
10	22	29	45	75	26	100	80	N/A									
12	18.5	28	40	55	22	90	70	N/A									
15	15	22	30	50	18	70	55	150									
20	11	17	24	40	13	55	45	150									
25	9	13	19	30	11	45	35	150									
30	7	11	16	25	9	35	30	150									
40	5.5	8	12	19	7	25	21	120									
50	5	7	9.5	15	5	20	17	95									
75	3.5	5	7.5	10	4	14	15	65									
100	2.5	3.8	5.5	8	N/A	12	11	50									
150	1.5	2.5	3.5	5.5	N/A	8	7.5	40									
175	1	N/A	3.2	5	N/A	N/A	6	35									
200	0.5	N/A	3	4	N/A	N/A	5.5	20									
400	N/A	N/A	2	2	N/A	N/A	N/A	10									

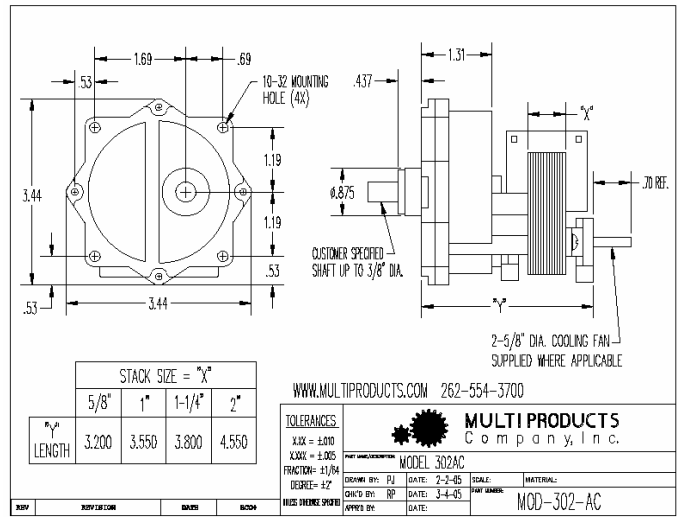
The above data is based on in-lb running torque +/-15%.

Torque values apply to motors operating in normal ambient room temperatures of 25°C.

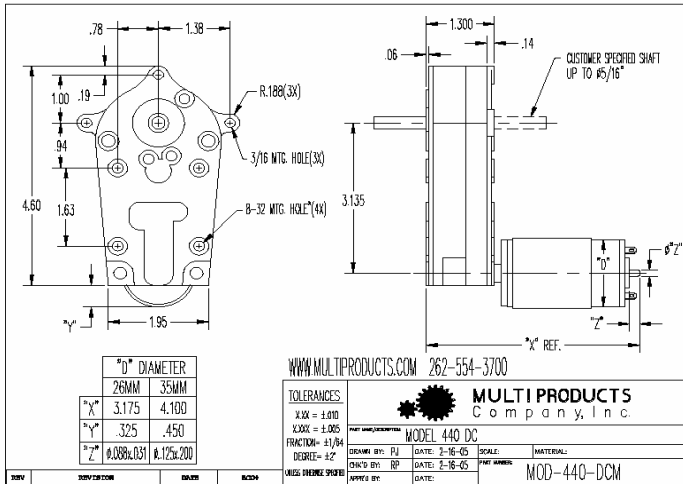
Model 302DC



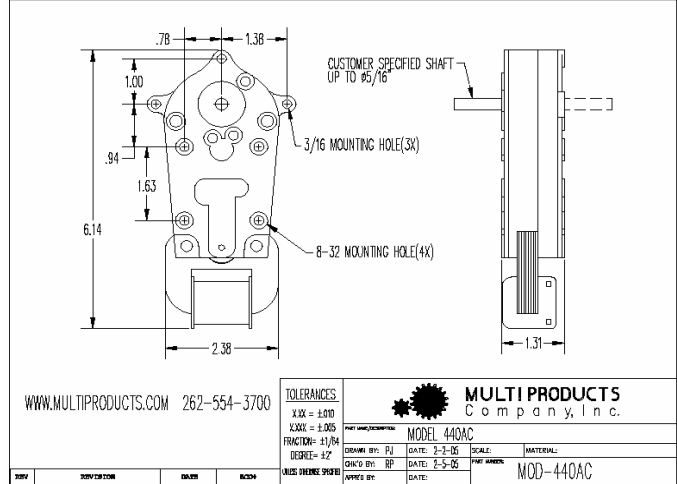
Model 302AC



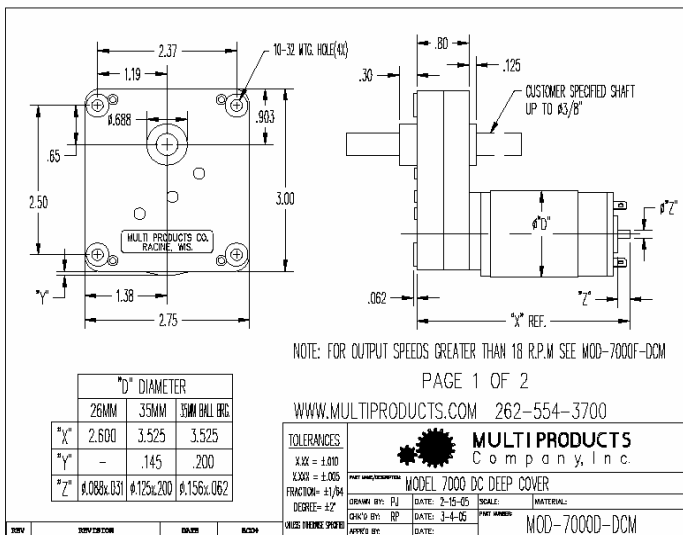
Model 440DC



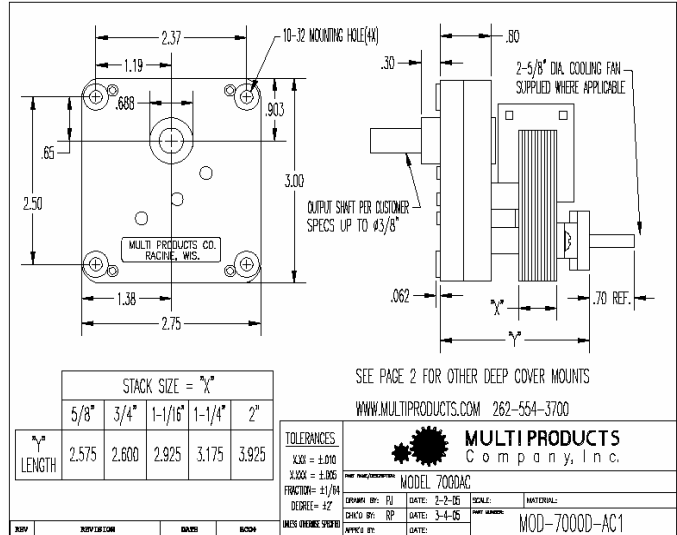
Model 440AC



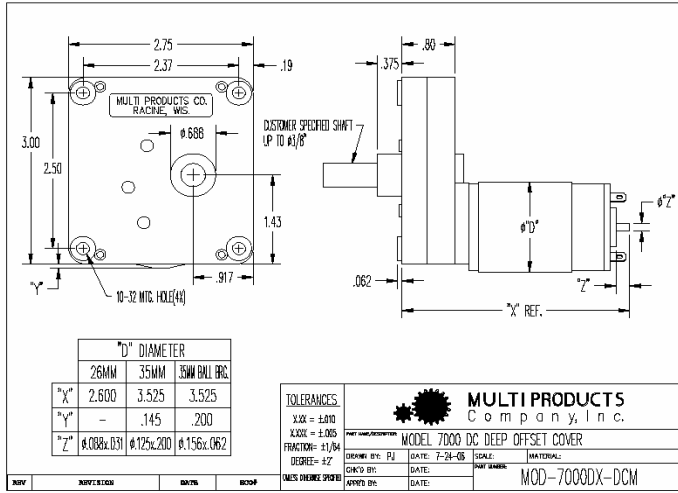
Model 7000DC



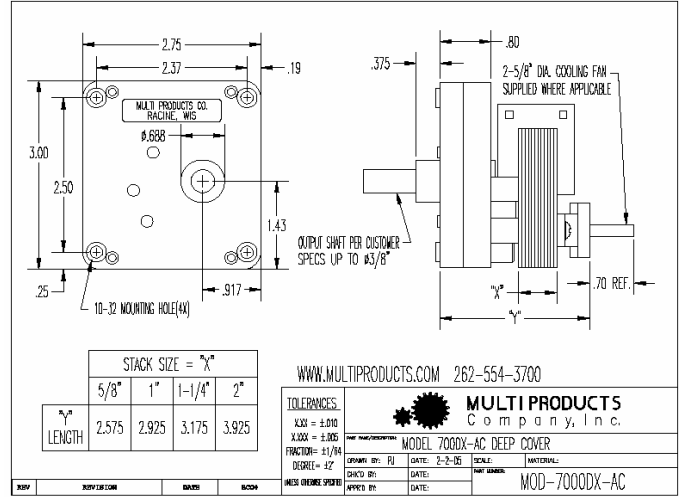
Model 7000AC



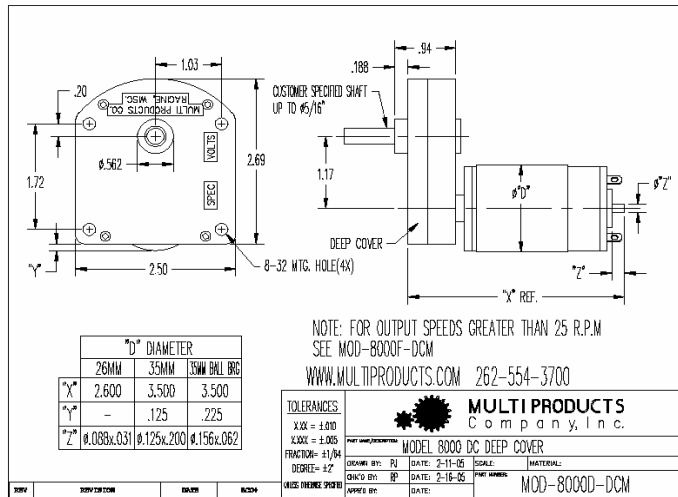
Model 7000xDC



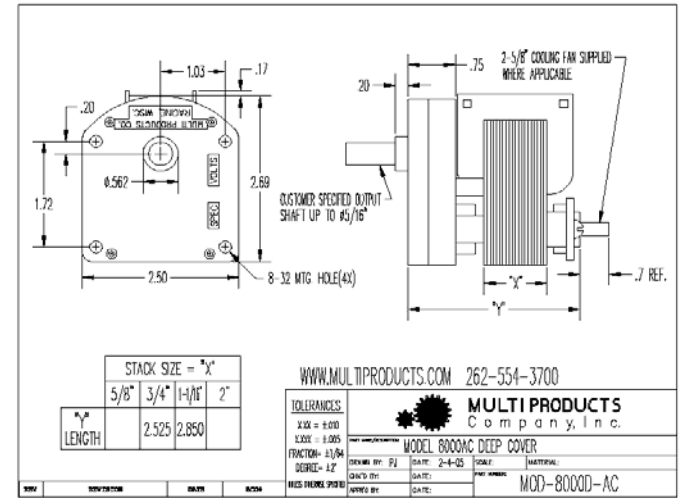
Model 7000xAC



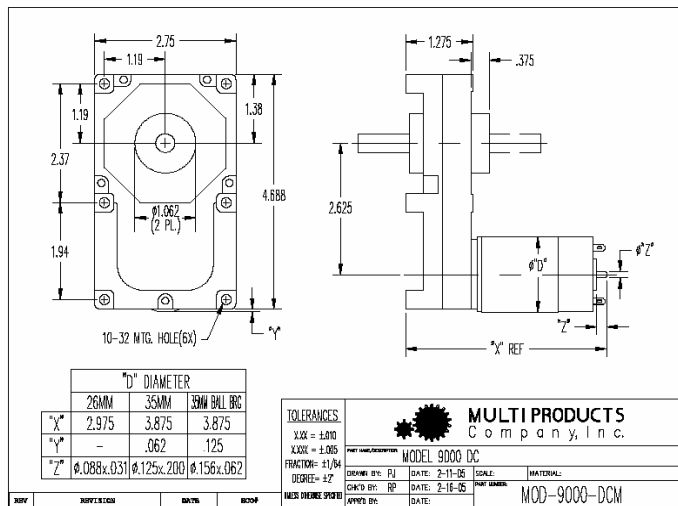
Model 8000DC



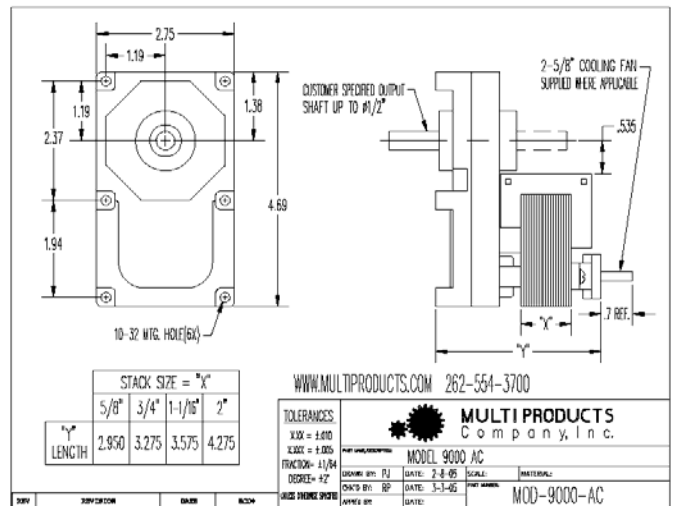
Model 8000AC



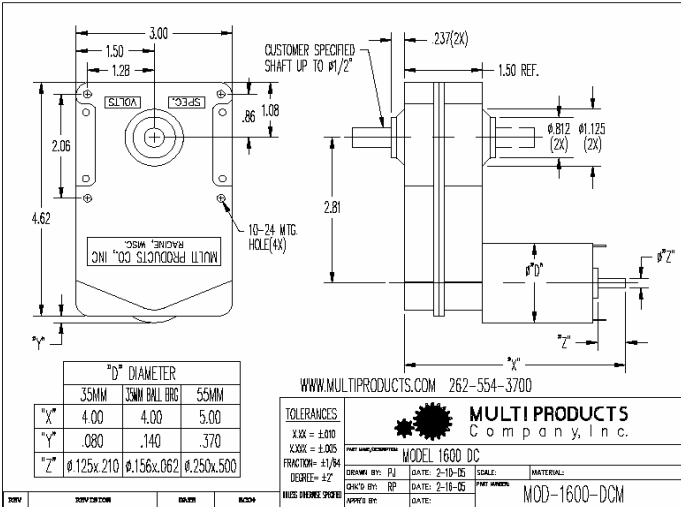
Model 9000DC



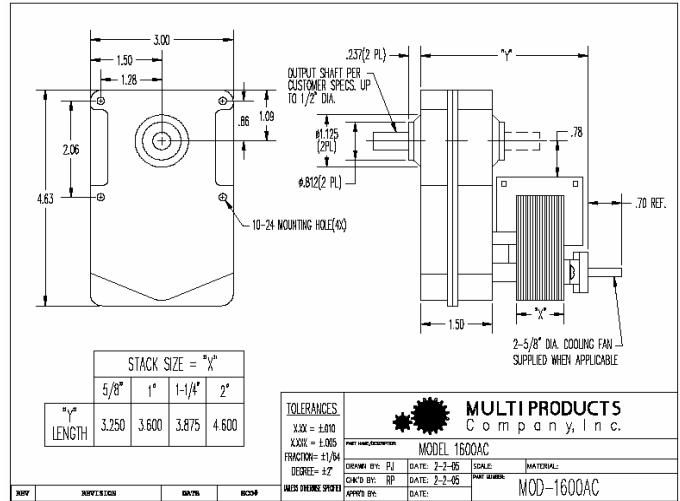
Model 9000AC



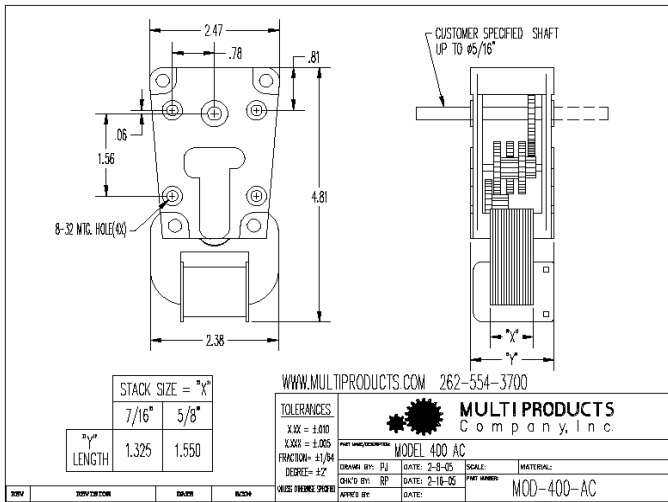
Model 1600DC



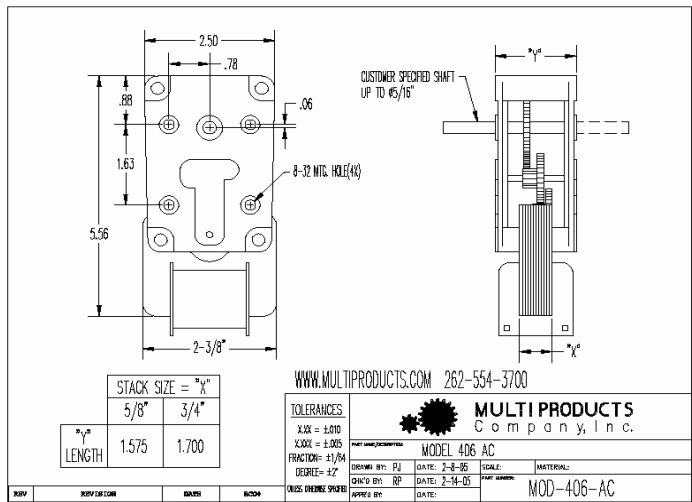
Model 1600AC



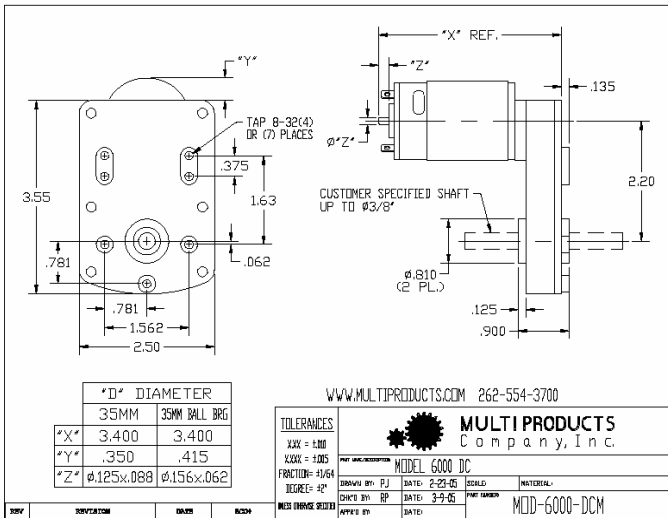
Model 400AC



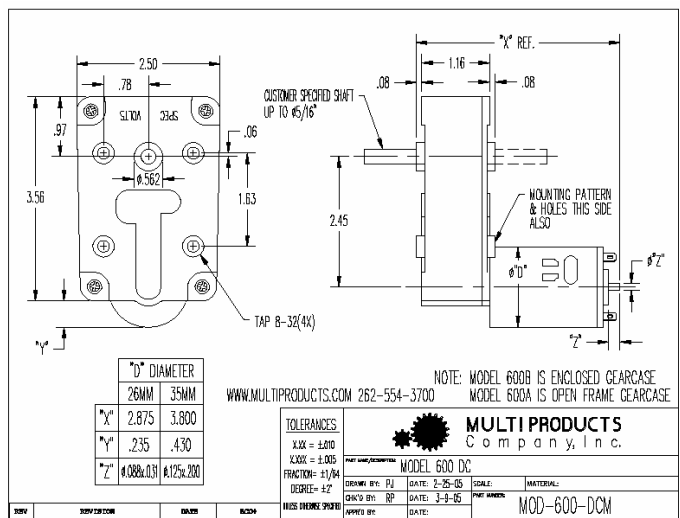
Model 406AC



Model 6000DC



Model 600BDC





DAMPER MOTOR SPECIALISTS.....



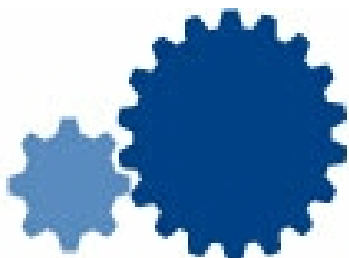
.....TORQUE BOX AND SUPER-TORQUE!!!

Multi Products Company has a variety of in-stock and custom manufactured actuator gearmotors for your spring return damper applications.

Our dust-proof enclosure has industry standard mounting and can be provided with optional conduit box, clutch, cord sets, and custom output shafts.

With emphasis on quality through cellular manufacturing, our replacement actuator program can meet your needs quickly and efficiently.

Contact us for all your new and replacement actuator needs!



MULTI PRODUCTS

C o m p a n y , I n c .



Contact us for all your sub-fractional gearmotor needs!