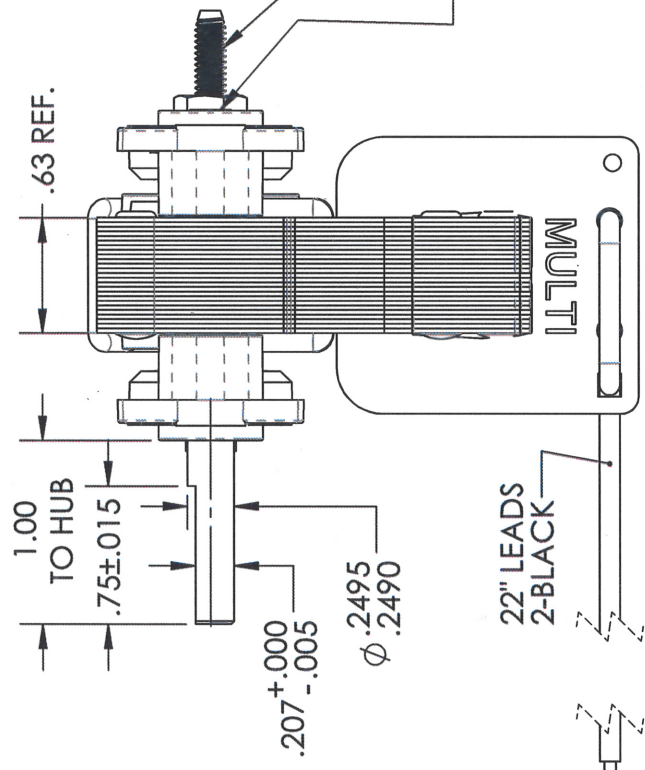
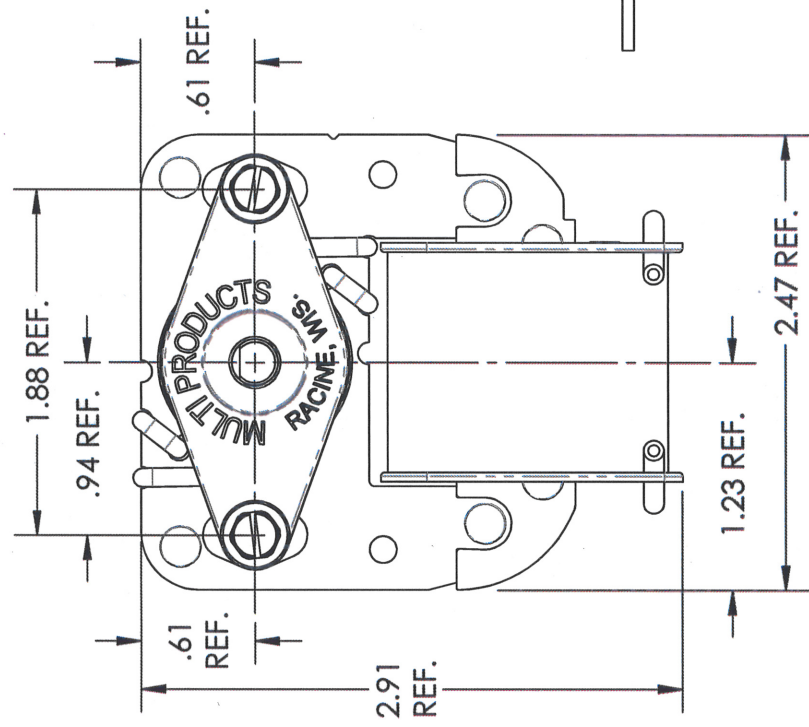


1:2 SCALE

NEAR SIDE SCREW AND NUT OMITTED FOR CLARITY.



THREAD EXT. .18" MIN. THIS SIDE, 2 PL.

NO SHAFT EXT., FLUSH OR BELOW BRKT.

RATED VOLTAGE: 120 VAC, 60 Hz
 ROTATION: CW (FACING SHAFT)
 NO LOAD SPEED: 3500 RPM

STALL TORQUE: 2.0 IN-OZ
 IMPEDANCE PROTECTED UNDER
 UL FILE E43658

I/WE CERTIFY THAT SAMPLES OF THIS MOTOR HAVE BEEN FULLY TESTED BY THE UNDERSIGNED AND THAT ALL SPECIFICATIONS HAVE BEEN REVIEWED FOR PRODUCTION. MULTIPRODUCTS COMPANY, INC. IS NOT RESPONSIBLE FOR MOTORS THAT FAIL IN THE FIELD DUE TO INSUFFICIENT TESTING OF THE SAMPLE MOTORS. I/WE AGREE TO PROVIDE MULTIPRODUCTS COMPANY, INC. WITH CURRENT DRAWINGS AND IN-HOUSE TEST PROCEDURES AS THEY BECOME AVAILABLE. ANY CHANGES THAT I/WE MAY MAKE WHICH OCCUR AFTER THE DATE SHOWN ARE SUBJECT TO REVIEW AND MAY AFFECT UNIT PRICE AND/OR DELIVERY DATES.

SIGNATURE _____ PRINT NAME _____ DATE _____
 IN ORDER TO BEGIN PRODUCTION, MULTIPRODUCTS COMPANY, INC. MUST HAVE SIGNED APPROVAL.

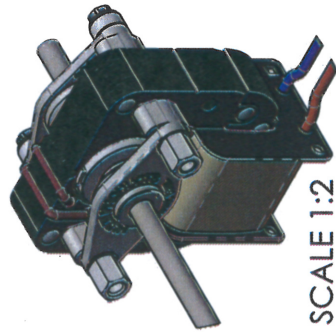
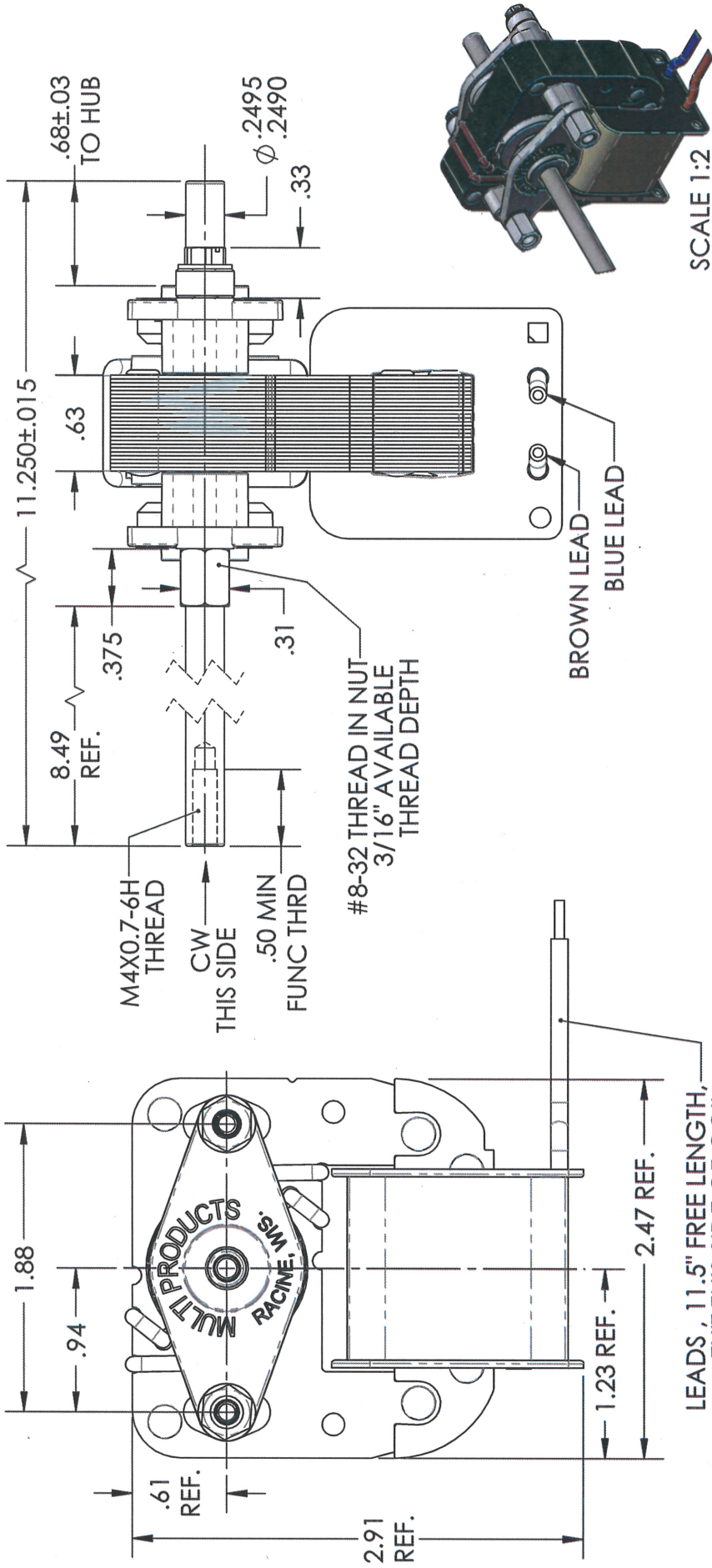
B	REDRAWN IN SOLIDWORKS	5/26/2016	DATE	ECO#
A	ADDED IMPEDANCE AND UL NOTE	10/19/2006	DATE	
REV.	DESCRIPTION		DATE	ECO#

TOLERANCES
 XX: ±.010
 XXX: ±.005
 FRACTION: 1/64
 ANGLE: ±2°
 UNLESS OTHERWISE SPECIFIED

MULTIPRODUCTS
 Company, Inc.

PART NAME/DESCRIPTION:

DRAWN BY: PJ	DATE: 5/30/2006	SCALE: 1:1	MATERIAL: SEE BOM
CHKD BY: -	DATE: -	PART NUMBER: MOD-UL31	
APPR BY: -	DATE: -		



SCALE 1:2

RATED VOLTAGE: 240 VAC, 50 HZ
 ROTATION: CW (FACING LONG SHAFT)
 NO LOAD SPEED: 2450 RPM
 STALL TORQUE: APPROX. 1 IN-OZ

REV.	DESCRIPTION	DATE	ECO #
A	REDRAWN WITH NEW BEARINGS	6/1/2016	

TOLERANCES

XXX: ±010
 XXX: ±005
 FRACTION: ±1/64
 ANGLE: ±2°
 UNLESS OTHERWISE SPECIFIED



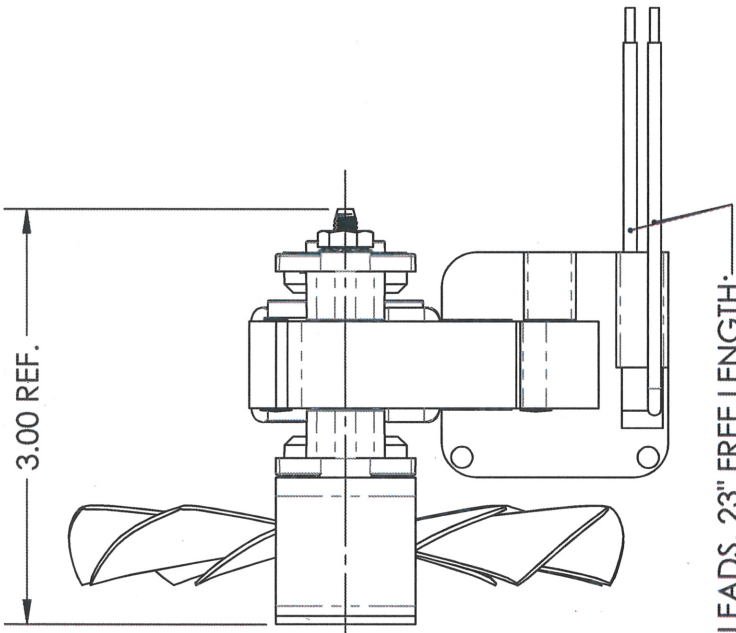
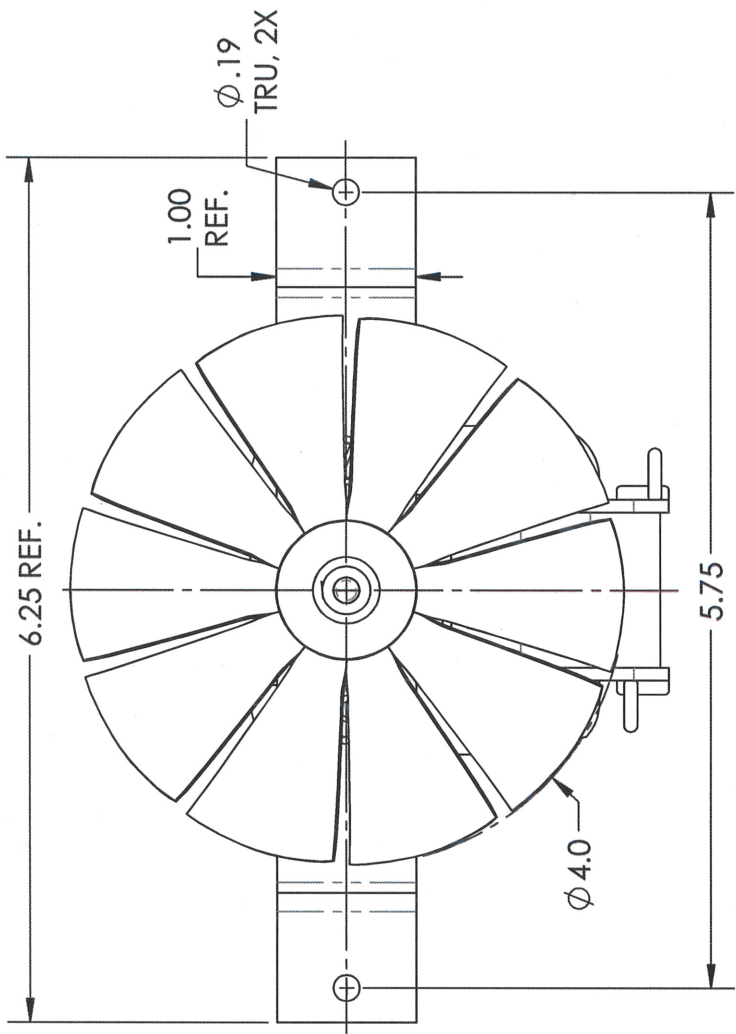
MULTI PRODUCTS
 Company, Inc.

PART NAME/DESCRIPTION:

DRAWN BY: DAB	DATE: 1/17/2013	SCALE: 1:1	MATERIAL: SEE BOM
CHKD BY: DMR	DATE: 1/17/2013	PART NUMBER:	
APPRO BY: RP	DATE: 1/17/2013		

I/WE CERTIFY THAT SAMPLES OF THIS MOTOR HAVE BEEN FULLY TESTED BY THE UNDERSIGNED AND THAT ALL SPECIFICATIONS HAVE BEEN REVIEWED FOR PRODUCTION. MULTIPRODUCTS COMPANY, INC. IS NOT RESPONSIBLE FOR MOTORS THAT FAIL IN THE FIELD DUE TO INSUFFICIENT TESTING OF THE SAMPLE MOTORS. I/WE AGREE TO PROVIDE MULTIPRODUCTS COMPANY, INC. WITH CURRENT DRAWINGS AND IN-HOUSE TEST PROCEDURES AS THEY BECOME AVAILABLE. ANY CHANGES THAT I/WE MAY MAKE WHICH OCCUR AFTER THE DATE SHOWN ARE SUBJECT TO REVIEW AND MAY AFFECT UNIT PRICE AND/OR DELIVERY DATES.

SIGNATURE _____ PRINT NAME _____ DATE _____
 IN ORDER TO BEGIN PRODUCTION, MULTIPRODUCTS COMPANY, INC. MUST HAVE SIGNED APPROVAL.



LEADS, 23" FREE LENGTH:
2-WHITE

RATED VOLTAGE: 120 VAC, 60 HZ
ROTATION: CW
NO LOAD SPEED: 3500 RPM
NO LOAD CURRENT: 0.32 A

LOADED SPEED @ 0.8 IN-OZ: 3000 RPM
LOADED CURRENT @ 0.8 IN-OZ: 0.4 A
STALL TORQUE: 2.3 IN-OZ
STALL CURRENT: 0.49 A

I/WE CERTIFY THAT SAMPLES OF THIS MOTOR HAVE BEEN FULLY TESTED BY THE UNDERSIGNED AND THAT ALL SPECIFICATIONS HAVE BEEN REVIEWED FOR PRODUCTION. MULTIPRODUCTS COMPANY, INC. IS NOT RESPONSIBLE FOR MOTORS THAT FAIL IN THE FILED DUE TO INSUFFICIENT TESTING OF THE SAMPLE MOTORS. I/WE AGREE TO PROVIDE MULTIPRODUCTS COMPANY, INC. WITH CURRENT DRAWINGS AND IN-HOUSE TEST PROCEDURES AS THEY BECOME AVAILABLE. ANY CHANGES THAT I/WE MAY MAKE WHICH OCCUR AFTER THE DATE SHOWN ARE SUBJECT TO REVIEW AND MAY AFFECT UNIT PRICE AND/OR DELIVERY DATES.

SIGNATURE _____ PRINT NAME _____ DATE _____
IN ORDER TO BEGIN PRODUCTION, MULTIPRODUCTS COMPANY, INC. MUST HAVE SIGNED APPROVAL.

REV.	DESCRIPTION	DATE	ECO#

MULTI PRODUCTS Company, Inc.			
PART NAME/DESCRIPTION:			
DRAWN BY: DAB	DATE: 9/14/2015	SCALE: 0.75:1	MATERIAL: SEE BOM
CHKD BY: DMR	DATE: 9/14/2015	PART NUMBER:	MOD-UL31J
APPRO BY: RP	DATE: 9/14/2015		

TOLERANCES	XXX: ±010
	XXX: ±005
	FRACTION: 1/164
	ANGLE: ±2°
UNLESS OTHERWISE SPECIFIED	